



The
Fountainhead
Group, Inc.

PUMPZERO
TECHNOLOGY

Battery-Powered Electric Sprayer

Use and Care Manual



⚠ CAUTION: Read and follow all instructions

Do Not Return This Sprayer To The Store
For Help, Information or Parts, Call : 1-800-311-9903

The Fountainhead Group, Inc.

23 Garden St., New York Mills, NY 13417

1-800-311-9903

www.TheFountainheadGroup.com

SAFETY PRECAUTIONS

- User must read and understand entire instruction manual before operating this Sprayer.
- Never use flammable or combustible liquids, caustics, acids, or hot water in this Sprayer.
- Always wear appropriate personal protection equipment as instructed by chemical manufacturer when using, preparing, handling, spraying, or disposing of chemicals. This includes at least goggles, gloves, and protective clothing.
- Read and follow all instructions and cautions on label of products used in this Sprayer.
- To reduce risk of battery fire or bursts, use only Fountainhead Group Chargers that are in good condition and have not been damaged.
- Inspect Sprayer, Hose, Shut-off, and Wand, for damage or loose connections before each use.
- Always use replacement parts from the original manufacturer.
- Never attempt to alter Sprayer from original condition.
- Any changes or modifications to the Sprayer not expressly approved by the manufacturer will void the user's authority to operate the Sprayer and void the warranty.
- Do not lift or carry the Sprayer by the Hose, Shut-off valve, or Wand. Carry by the Handle only.
- Only spray when the air is calm (no wind or air movement) to prevent chemical spray from drifting into unintended areas.
- Store the Sprayer, Pump, and Charger indoors in a warm, dry location out of direct sunlight and away from any sources of moisture or intense heat. Do not store Sprayer where freezing temperatures (below 32°F/0°C) will occur. Allowing water to freeze inside the Sprayer may damage the Pump, Seals, Shutoff, or other components, and void the Sprayer warranty.
- Keep the Sprayer and all chemicals out of the reach of children.
- Remove chemicals and thoroughly clean the Sprayer after each use. Failure to clean the Sprayer may cause contamination of subsequent applications, will cause premature Sprayer wear, and void the Sprayer warranty.

About this Sprayer

WARNING: RISK OF FIRE, BURNS, OR ELECTRICAL SHOCK. To reduce the risk of injury, user must read and understand entire instruction manual before operating this Sprayer.

This is an electric-powered compressed-air style tank sprayer that is designed to spray water soluble solutions, such as herbicides, pesticides, and other liquid chemicals typically used for weed prevention, weed remediation, pest control, fertilizing, and watering.

This Sprayer uses an internal rechargeable Lithium-Ion Battery to power an electric air compressor Pump. The PumpZero Electric Pump is designed to provide a more convenient and more consistent alternative to standard manual pumps. It operates by pressurizing the air above the fluid in the Tank, which causes the fluid to be pushed through the Hose, to the Nozzle, and sprayed out. Because the PumpZero Electric Pump operates by pressurizing air in the Tank, it is important that a good air seal is achieved when the Pump is tightened into the Tank.

While actively spraying it is normal for the Pump to turn on and off by itself periodically; it is not expected to run continuously. The Pump will pressurize the air inside the Tank, then turn off and let the air pressure do the work of spraying out the fluid. As the fluid is sprayed out, the air pressure inside the Tank will decrease, eventually causing the Pump to turn on again. Having the Pump turn on and off in this manner allows for longer Battery life and greater Pump longevity, compared to a continuously running Pump.

The PumpZero Electric Pump contains an internal Lithium-Ion Battery. The shipment of Lithium-Ion Batteries is subject to international shipping regulations. Accordingly, the Battery must be in a reduced-charge state for shipping, so the Pump must be charged prior to initial use. As with all products containing Lithium-Ion Batteries, consult your local shipping agent for instructions prior to shipping the Pump.

The PumpZero Electric Pump is equipped with an auto-off feature that turns the Pump off after 2 hours of inactivity. This is to prevent the Battery from being drained if the Pump is left on when the Sprayer is not in use.

ASSEMBLY INSTRUCTIONS

English

Español

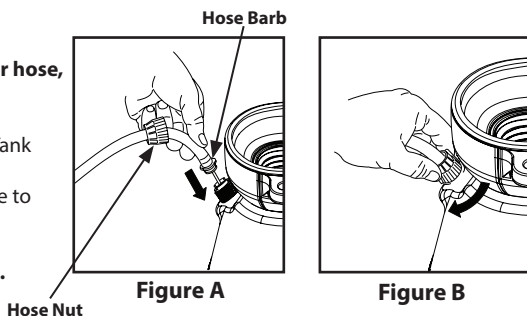
Français

Assemble Hose To Tank

IMPORTANT: Do not attempt to heat or alter hose, hose nut, or barb prior to assembly.

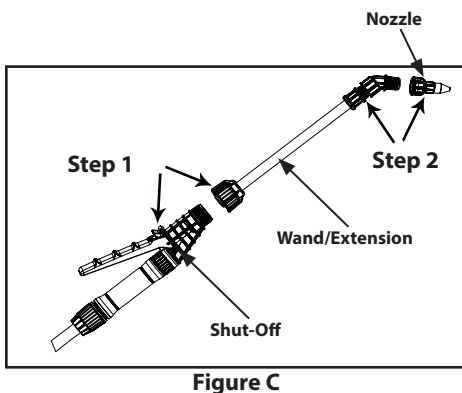
1. Align Hose Barb tabs, push Hose Barb into Tank until it stops (See **Figure A**).
2. Slide Hose Nut into place and turn clockwise to tighten. (See **Figure B**).

NOTE: Do not use tools to tighten Hose Nut.



Assemble Wand, Shut-Off & Nozzle

1. Install the Wand onto the Shut-off and tighten the Nut securely. (**Figure C, Step 1**)
2. Install selected Nozzle onto the end of the Wand and tighten securely. (**Figure C, Step 2**)



SELECT NOZZLE FROM LIST BELOW

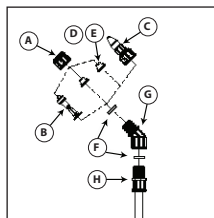


Figure D

- A. Cap Nut
- B. Foaming Nozzle
- C. Adjustable Cone Nozzle
- D. Red High-Volume Fan Nozzle
- E. Yellow Low-Volume Fan Nozzle
- F. Flat Seal
- G. Adapter
- H. Wand


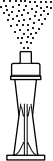


Adjustable Cone Uses:	Foaming Nozzle Uses:
 <ul style="list-style-type: none"> •Spot spraying in or around flower beds, trees, and shrubs. •Edging along fences, driveways, and walkways. •Killing brush such as poison ivy, poison oak, kudzu and wild blackberry. •Preparing garden beds for planting of ornamentals and vegetables. 	 <ul style="list-style-type: none"> •Spot spraying in flower beds, walkways, driveways, and patios, around trees and shrubs. •Edging along fences, driveways and walkways. •Killing brush such as poison ivy, poison oak, kudzu and wild blackberry..
Red High Volume Fan Nozzle Uses:	Yellow Low Volume Fan Nozzle Uses:
 <ul style="list-style-type: none"> •Lawn replacement. Kill lawn and weeds before planting a new lawn. •Preparing large areas for planting of ornamental and vegetable gardens 	 <ul style="list-style-type: none"> •For precision spraying in confined areas such as gardens and flower beds.

Figure E

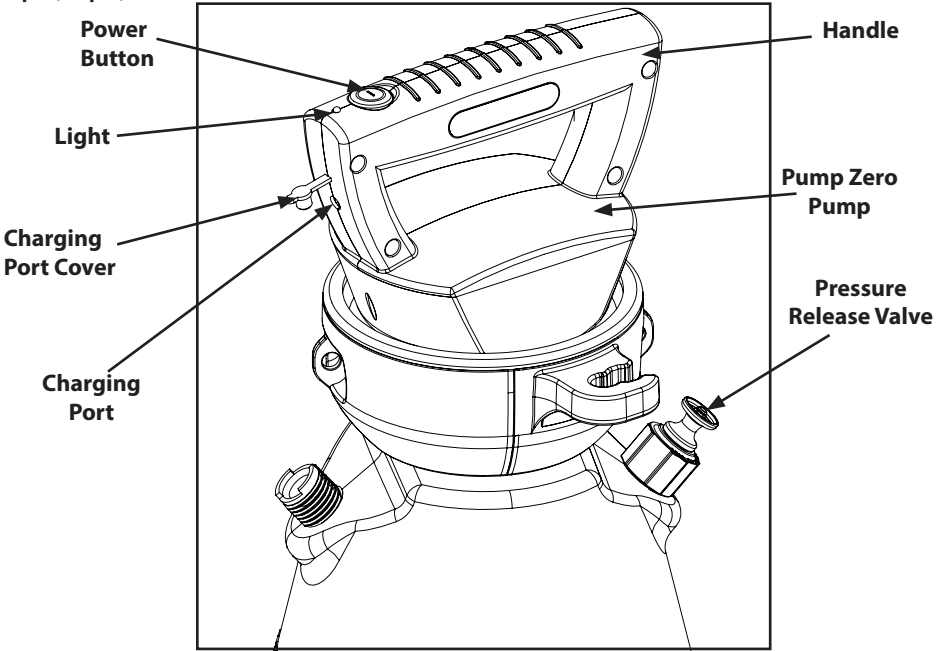
OPERATING INSTRUCTIONS

English

Español

Français

WARNING: RISK OF FIRE, BURNS, OR ELECTRICAL SHOCK. Use Charger only in a dry, dust-free location free from any flammable or combustible liquids or vapors. Use only with Fountainhead Group Chargers – Other types of Chargers may cause Battery failure resulting in personal injury and damage. Do not short circuit the Charger or Battery terminals. Do not charge damaged Batteries. Do not expose to liquid, vapor, or rain.



Charging the Pump Internal Battery

1. In a dry, clean location insert the Charger Plug into a standard electrical wall outlet. **See Figure F.** On the end of the Pump handle, remove the rubber Cover to expose the Charging Port. Plug the Charger Cable into the Charging Port on the Pump. The Light on the top of the Pump should start flashing green.

a. The Pump cannot be operated while Charging.

The Pump must be disconnected from the Charger to permit further use.

b. If the light on the Pump flashes red, the Battery is too hot to be safely charged. This can happen when the Battery is used heavily in very hot weather or if the Battery is stored in a very hot location (such as in an enclosed vehicle or storage unit during very hot weather). If this happens the Battery must be allowed to cool before it can be charged.

c. If the light on the Pump flashes red and green alternately, this means the Battery has been damaged and cannot be charged within the safe charging time limit. The internal Battery cannot be serviced, so the Pump must be replaced.

2. Ensure the Pump and Charger are placed where they will not be exposed to liquids, falls or other sources of damage for the duration of the charging period.

3. When charging is complete the light will remain green and stay on constantly. Charging time will vary depending on Battery condition at the start of charging. Charging time should not exceed 3 hours.

4. Remove the Charger Cable from the Pump once charging is complete. Pumps should not be connected to the Charger during long periods of storage. To ensure optimal Battery life the Pump should be charged at least once every 3 months when not in use.

5. Reinsert the rubber Cover into the Charging Port to protect it.

6. Unplug the Charger from the electrical wall outlet when not in use.

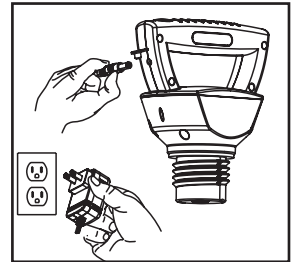


Figure F

Filling the Sprayer

WARNING: RISK OF DEATH, PERSONAL INJURY AND/OR PROPERTY DAMAGE FROM IMPROPER CHEMICAL USE OR MIXTURE. Never use flammable or combustible liquids, caustics, acids, or hot water in this Sprayer. Spraying flammable or combustible liquids can create combustible fumes that could be ignited by the electrical system in the Sprayer, causing an explosion. Always refer to chemical manufacturer instructions for proper mixture. Always wear appropriate personal protection equipment as instructed by chemical manufacturer when using, preparing, handling, spraying, or disposing of chemicals. This includes at least goggles, gloves, and protective clothing.

CAUTION: RISK OF DAMAGE TO INTERNAL COMPONENTS. Use of chemicals other than water based or water soluble solutions may damage the Sprayer and will void the warranty.

1. Ensure that the Pump is turned OFF (Light is OFF).
2. Pull up on the knob of the Pressure Release Valve until all the pressure is released from the tank (See Figure G).

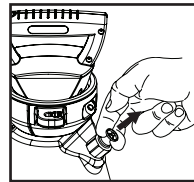


Figure G

3. Turn the Pump handle counterclockwise to remove the pump (See Figure H).
4. Fill the Tank to the desired level. See fill markings on side of Tank. (Always refer to chemical manufacturer for proper mixture).
5. Install the Pump into the Tank opening and turn clockwise until tightly sealed against the Tank (See Figure I).

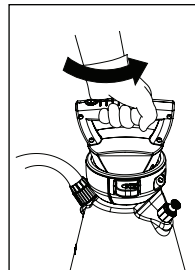


Figure H

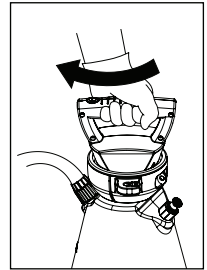


Figure I

Powering-On and Spraying:

WARNING: RISK OF UNINTENDED SPRAYING AND CHEMICAL EXPOSURE. Ensure that the Shut-off is in the closed position (Lever released) before pressing the Power Button. The Sprayer will spray if the Shut-off is open (Lever depressed) when the power is turned ON. Only spray when the air is calm (no wind or air movement) to prevent chemical spray from drifting into unintended areas.

OPERATING INSTRUCTIONS CONTINUED

1. The PumpZero Pump must be charged for the Sprayer to operate. See *Charging the Pump Internal Battery*.
2. Press the Power Button to turn on the Pump and begin pressurizing the Tank.
 - a. The Light on the top should turn green and an audible hum should be heard, indicating the Pump is running and is pressurizing the Tank.
 - b. The Pump will turn off once the Tank is pressurized, which may take 30 seconds to several minutes depending on the size of the Tank and the amount of fluid in it.
 - c. It is permissible to start spraying before the Tank is fully pressurized, but in order to avoid a sub-optimal spray pattern it is recommended to wait at least 20 seconds to allow some pressure to build in the Tank.
3. Aim the Wand in the desired direction of spraying and depress the Shut-off Lever. (See **Figure K**)
4. For continuous spraying, depress the Lever and rotate the Lock to hold the Lever in the depressed position.
5. Unlock, if needed, and release the Shut-off Lever to stop spraying.
6. To turn off the Sprayer press the Power Button. The Light will turn OFF.
7. Note that the Tank is still pressurized even though the Pump has been turned OFF.
8. Always remove any chemical, and clean the Sprayer when finished using. See *Cleaning & Storage*.

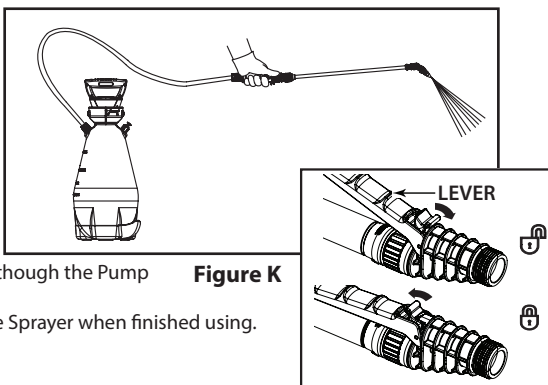


Figure K

Low Battery Indicator

The Pump is equipped with a Low Battery Indicator. When the Pump is operating, the Light on the top of the Pump will change from steady green to flashing green when the Battery has 25% of charge remaining. This is typically enough to finish spraying the current Tank of fluid and one additional Tank. The Pump should then be charged. See *Charging the Pump Internal Battery*. When the Battery is completely out of charge the Light will turn OFF and the Pump will not operate.

SPRAYER MAINTENANCE

Cleaning & Storage

WARNING: RISK OF PERSONAL INJURY DUE TO CHEMICAL EXPOSURE. Always wear appropriate personal protection equipment as instructed by chemical manufacturer when using, preparing, handling, spraying, or disposing of chemicals. This includes at least goggles, gloves, and protective clothing. Prior to performing maintenance always depressurize Sprayer by turning off the Pump and operating the Pressure Release Valve until no pressure remains in the Tank.

CAUTION: RISK OF DAMAGE TO INTERNAL COMPONENTS. Failure to properly rinse out the Sprayer may allow chemical residue build-up that can clog or damage the Filters, Pump, Shut-off, Wand, and Nozzle. Chemical residue build-up can also contaminate subsequent applications. Leaving chemical liquids in the Sprayer when not in use can lead to premature Sprayer wear. Never store Sprayer with chemical in any part of the Sprayer.

Cleaning and Storage Continued:

1. Turn off the Pump by pressing the Power Button. The light on the top of the Pump should turn off.
2. Operate the Pressure Release Valve on the side of the Tank by gently pulling it outward until the air inside the Tank stops flowing out.
3. Remove the Pump from the Tank by turning it counter-clockwise. Avoid placing the Pump down where it may become contaminated with dirt, grass clippings, or debris that could later enter the Tank.
4. Empty any extra chemical from the Tank into a suitable container for later use or disposal according to chemical manufacturer's instructions.
5. Use clean water to thoroughly rinse and empty the Tank until all chemical and residues are removed.
6. Use a wet cloth to wipe the bottom of the Pump until all chemical and residues are removed. Do not rinse the Pump with a hose or submerge in water, as water will enter the Housing, damaging the electrical components, rendering the Pump non-functional, and voiding the warranty.
7. Add approximately 1 quart [1 liter] of clean water to the Tank.
8. Attach the Pump to the Tank and tighten firmly.
9. Press the Power Button so the Pump will pressurize the Tank.
10. With clean water in the clean Tank, spray water through the Hose, Shutoff, Wand, and Nozzle for at least 30 seconds to rinse them out. Failure to rinse out the Hose, Shutoff, Wand, and Nozzle may allow chemical residue build-up that can clog or damage the components. After heavy use rinsing the Nozzle may not be enough to remove residue. The Nozzle may need to be cleaned with a small brush.
11. Press the Power Button to turn off the Pump.
12. Operate the Pressure Release Valve on the side of the Tank to release pressure.
13. Remove the Pump. Avoid placing the Pump down where it may become contaminated with dirt, grass clippings, or debris that could later enter the Tank.
14. Open the Shut-off (depress Lever) to drain any remaining water from the Hose, Shut-off, and Wand.
15. Empty out any remaining water from the Tank.
16. Allow the Sprayer to dry. This is best done by hanging the Tank upside down to let it drain.
17. Once the Sprayer is dried turn the Sprayer upright and loosely assemble the Pump to the Tank to prevent debris from entering the Tank.
18. Store the Sprayer, Pump, and Charger indoors in a warm, dry location out of direct sunlight and away from any sources of moisture or intense heat. Do not store Sprayer where freezing temperatures (below 32°F/0°C) will occur. Allowing water to freeze inside the Sprayer may damage the Pump, Seals, Shutoff, or other components, and void the Sprayer warranty.
19. To ensure optimal Battery life the Battery should be charged at least once every 3 months when not in use. See *Charging the Pump Internal Battery*.

SERVICING INSTRUCTIONS

Shut-off Maintenance (Smith Pro)

WARNING: Prior to performing maintenance always depressurize Sprayer by pressing the Power Button to turn power OFF and then operating the Pressure Release Valve until all air pressure in the Tank has been released.

1. Unscrew the Handle from the Shut-off Assembly. (See Figure L)
2. Remove the Filter from the Shut-off Assembly.
3. Clean any debris from inside the handle, Shut-off Assembly, or the Filter by rinsing with cool, clean water.
4. Reassemble the components as shown and tighten all connections securely.

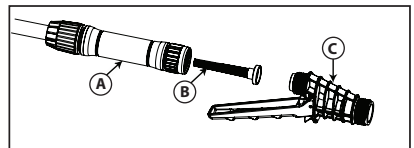


Figure L

- A. Handle**
- B. Filter**
- C. Shut-off Assembly**

SERVICING INSTRUCTIONS CONTINUED

English

Español

Français

Nozzle Maintenance

WARNING: Prior to performing maintenance always depressurize Sprayer by pressing the Power Button to turn power OFF and then operating the Pressure Release Valve until all air pressure in the Tank has been released.

1. If Nozzle clogs, remove and disassemble the Nozzle assembly.
2. Clean the openings of any obstructions or residue. Do not use sharp tools that could scratch or damage the Nozzle as spray pattern could be affected.

PumpZero Pump Maintenance

The Pump Zero Pump does not require regular maintenance beyond charging and normal cleaning. See *Charging the Pump Internal Battery* and *Cleaning & Storage*.

COMPLIANCE INFORMATION

FCC Compliance:

This device complies with part 15 of the FCC Rules. Operation is subject to the following two conditions: (1) This device may not cause harmful interference, and (2) this device must accept any interference received, including interference that may cause undesired operation.

Note: This equipment has been tested and found to comply with the limits for a Class B digital device, pursuant to part 15 of the FCC Rules. These limits are designed to provide reasonable protection against harmful interference in a residential installation. This equipment generates, uses and can radiate radio frequency energy and, if not installed and used in accordance with the instructions, may cause harmful interference to radio communications. However, there is no guarantee that interference will not occur in a particular installation. If this equipment does cause harmful interference to radio or television reception, which can be determined by turning the equipment off and on, the user is encouraged to try to correct the interference by one or more of the following measures:

- Reorient or relocate the receiving antenna.
- Increase the separation between the equipment and receiver.
- Connect the equipment into an outlet on a circuit different from that to which the receiver is connected.
- Consult the dealer or an experienced radio/TV technician for help.

Canada IC:

CAN ICES-3 (B)/NMB-3(B)

TROUBLESHOOTING

TROUBLE	LOOK FOR	REMEDY
Sprayer will not turn on when Power Button is pressed (no audible hum of the pump.)	<ol style="list-style-type: none"> 1. Battery not charged. Light does not turn ON. 2. Pump is damaged, over heated, or non-functional. Visually inspect the Pump for damage. Use the Charger to diagnose any Battery problem. See <i>Charging the Pump Internal Battery</i>. 3. Tank is already pressurized so the Pump has turned off automatically. 4. Pump is connected to Charger. 	<ol style="list-style-type: none"> 1. Charge Pump if no light is ON. See <i>Charging the Pump Internal Battery</i>. 2. Replace Pump if damaged or non-functional. Allow Battery to cool if overheated. 3. Open the Shut-off (depress Lever) to see if the Sprayer starts spraying. 4. Disconnect Charger.
Sprayer turns on (audible hum of pump heard) but will not spray.	<ol style="list-style-type: none"> 1. No liquid in Tank. 2. Shut-off clogged. 3. Nozzle clogged. 4. Pump is not tightened to Tank, leaks at Seal. 	<ol style="list-style-type: none"> 1. Add liquid to Tank. See <i>Filling the Sprayer</i>. 2. Clean Shut-off. See <i>Shut-off Maintenance</i>. 3. Clean Nozzle. See <i>Nozzle Maintenance</i>. 4. Tighten Pump to Tank.
Sprayer turns on but only sprays at low pressure.	<ol style="list-style-type: none"> 1. Tank not yet pressurized. 2. Air leaking from Tank at Seal. 3. Tank Seal or Seal surfaces are damaged. 4. Shut-off clogged. 5. Nozzle clogged. 	<ol style="list-style-type: none"> 1. Allow time for Pump to pressurize Tank (at least to 20 seconds). 2. Tighten Pump to Tank. 3. Replace Tank Seal. 4. Clean Shut-off. See <i>Shut-off Maintenance</i> 5. Clean Nozzle. See <i>Nozzle Maintenance</i>.
Hose Leaks at Tank connection.	<ol style="list-style-type: none"> 1. Cracked, swollen or faulty Hose. 2. Damaged connection. 	<ol style="list-style-type: none"> 1. Replace Shut-off Assembly. 2. Replace Shut-off Assembly.
Hose Leaks at Shut-off.	<ol style="list-style-type: none"> 1. Cracked, swollen or faulty Hose. 2. Damaged connection. 	<ol style="list-style-type: none"> 1. Replace Shut-off Assembly. 2. Replace Shut-off Assembly.
Nozzle drips when Shut-off Lever is released.	<ol style="list-style-type: none"> 1. Dirt or debris in Shut-off. 2. Damaged O-Ring or Seal in Shut-off. 	<ol style="list-style-type: none"> 1. Clean Shut-off Assembly. 2. Replace Shut-off Assembly.
Nozzle Tip leaks	<ol style="list-style-type: none"> 1. Flat Seal missing. 2. Flat Seal damaged. 	<ol style="list-style-type: none"> 1. Install Flat Seal behind Nozzle Tip. See <i>Assemble Wand, Shut-off and Nozzle</i>. 2. Replace Flat Seal.

TROUBLESHOOTING

English

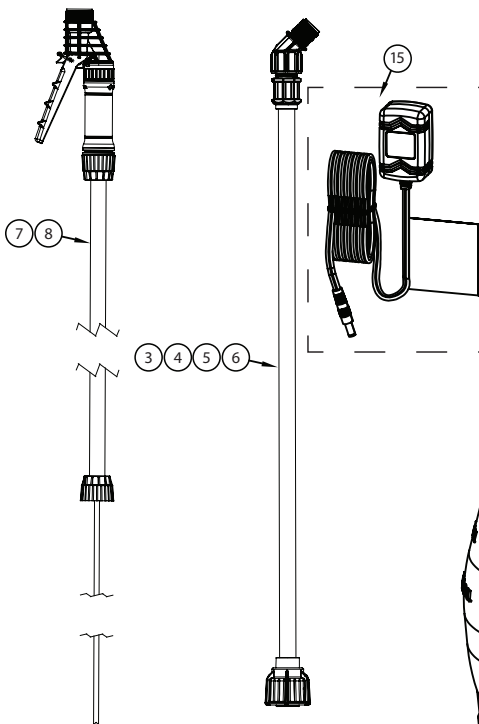
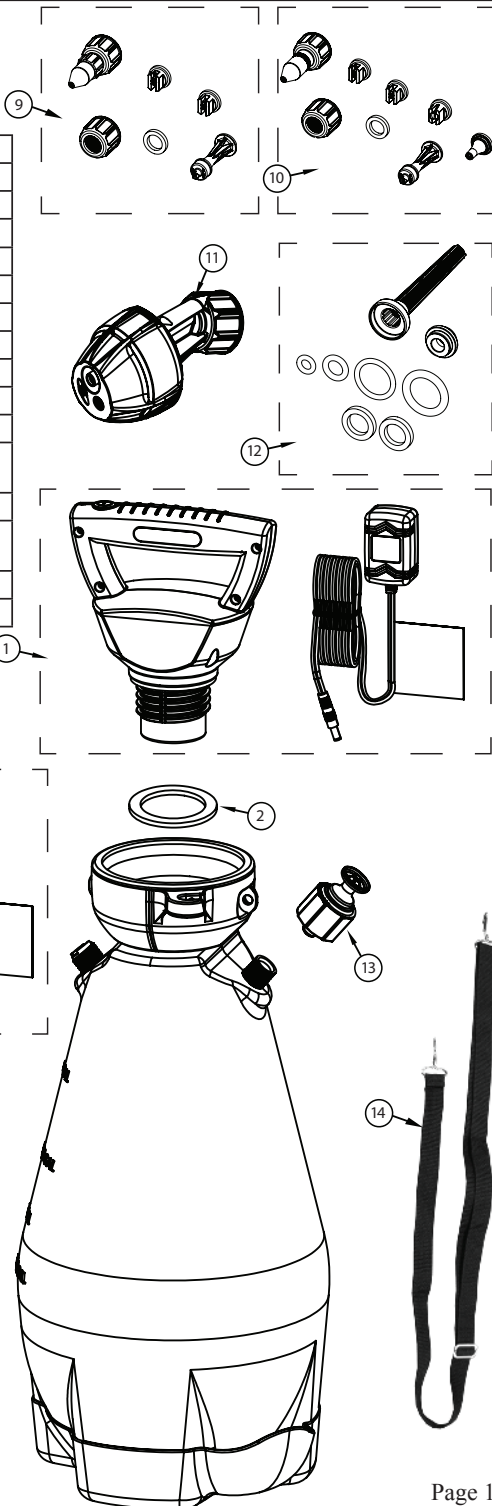
Español

Français

TROUBLE	LOOK FOR	REMEDY
Poor Spray Pattern	<ol style="list-style-type: none"> 1. Tank is not pressurized. 2. Nozzle partially clogged. 3. Nozzle damaged. 4. Shut-off clogged. 	<ol style="list-style-type: none"> 1. Turn on Pump. 2. Clean Nozzle. See <i>Nozzle Maintenance</i>. 3. Replace Nozzle. 4. Clean Shut-off. See <i>Shut-off Maintenance</i>.
Battery will not Charge.	<ol style="list-style-type: none"> 1. Charger not plugged into outlet. 2. No lights illuminated on Pump. Charger plugged into outlet. 3. No lights illuminated on Pump. Charger plugged into outlet, outlet functioning. 4. Red light continues flashing on Pump (Battery temperature too high for safe charging). 5. Red and Green lights flash alternately on Pump (Battery cannot be charged). 	<ol style="list-style-type: none"> 1. Plug Charger into outlet. 2. Check that outlet is functioning. 3. Replace Charger. 4. Allow Pump to cool. 5. Replace Pump.

DESCRIPTION

Key #	Part #	Description
1	184175	PUMP, CHARGER & GASKET
2	178039V	GASKET (REPLACEMENT, VITON)
3	181845	WAND 14" POLY
4	181843	WAND 18" POLY
5	181824	WAND 21" POLY
6	182112	WAND 21" STAINLESS STEEL
7	183173	HOSE & SHUTOFF (1& 2 GAL)
8	183174	HOSE & SHUTOFF (3 GAL)
9	181869	POLY NOZZLE KIT
10	181870	BRASS NOZZLE KIT
11	182902	3-WAY NOZZLE (REPLACEMENT, VITON, BLACK)
12	181910	SHUT OFF SERVICE KIT
13	182495	PRESSURE RELEASE VALVE (REPLACEMENT, VITON)
14	181080	SHOULDER STRAP
15	183563	CHARGER



SERVICE KITS, PARTS & ACCESSORIES ARE AVAILABLE BY CONTACTING

The Fountainhead Group, Inc. - Customer Service Center

Monday - Friday 8 A.M. - 5 P.M., EST

Toll Free: 1-800-311-9903

or

e-mail: Info@TheFGI.com

or

Access online at: www.TheFountainheadGroup.com



The
Fountainhead
Group, Inc.

PUMP ZERO
TECHNOLOGY

Atomizador Eléctrico a Batería

Manual de uso y cuidado



⚠ PRECAUCIÓN: Lea y siga todas las instrucciones

No devuelva este atomizador a la tienda

Para obtener ayuda, información o piezas, llame al:

1-800-311-9903

The Fountainhead Group, Inc.

23 Garden St., New York Mills, NY 13417

1-800-311-9903

www.TheFountainheadGroup.com

Manual No. 183994

Rev E: 04/12/21

5 1/2" X 8 1/2" Booklet

INTRODUCCIÓN AL ATOMIZADOR

English

Español

Français

⚠ PRECAUCIONES DE SEGURIDAD

- El usuario debe leer y comprender todo el manual de instrucciones antes de utilizar el atomizador.
- Nunca utilice líquidos inflamables o combustibles, agentes cáusticos, ácidos o agua caliente en este atomizador.
- Siempre use equipo de protección personal adecuado según las instrucciones del fabricante químico cuando use, prepare, maneje, atomice o deseche los químicos. Este equipo debe incluir, como mínimo, gafas de seguridad, guantes y ropa protectora.
- Lea y siga todas las instrucciones y precauciones que se muestran en la etiqueta de los productos que se usan en este atomizador.
- Utilice solamente cargadores de Fountainhead Group que funcionen bien y que no tengan daños para reducir el riesgo de que se enciendan o exploten.
- Antes de cada uso, inspeccione el atomizador, la manguera, la válvula de cierre y la varilla en busca de conexiones dañadas o sueltas.
- Siempre utilice las piezas de reemplazo del fabricante original.
- Nunca intente modificar la condición original del atomizador.
- Cualquier cambio o modificación en el atomizador que no haya sido aprobado por el fabricante anulará la autoridad del usuario para utilizar el atomizador y anulará la garantía.
- No alce ni transporte el atomizador por la manguera, la válvula de cierre o la varilla.
- Solo agárrelo por el mango.
- Solo rocíe cuando el aire esté calmado (sin viento o movimientos en el aire) para evitar el rociado de químicos en áreas no deseadas.
- Guarde el atomizador, la bomba y el cargador en interiores en un lugar templado y seco, fuera del alcance de la luz solar directa y lejos de cualquier fuente de humedad o calor intenso. No guarde el atomizador donde haya temperaturas gélidas (debajo de 32°F/0°C). Permitir que el agua se congele dentro del atomizador puede causar daños a la bomba, los sellos, la válvula de cierre u otros componentes, y anulará la garantía del atomizador.
- Mantenga el atomizador y todas las sustancias químicas fuera del alcance de los niños.
- Retire las sustancias químicas y limpie completamente el atomizador después de cada uso. En caso de no limpiar el atomizador, se puede generar contaminación en las siguientes aplicaciones y se causará el gasto prematuro del atomizador, lo cual anulará su garantía.

Sobre el atomizador

ADVERTENCIA: RIESGO DE INCENDIO, QUEMADURAS Y CHOQUE ELÉCTRICO. •Para reducir el riesgo de lesiones, el usuario debe leer y comprender todo el manual de instrucciones antes de utilizar el atomizador.

Este es un atomizador eléctrico de tanque de aire comprimido que está diseñado para rociar soluciones solubles en agua, como herbicidas, pesticidas y otros productos químicos líquidos que se usan normalmente para la prevención y la eliminación de malas hierbas, el control de plagas, la fertilización y el riego.

Este atomizador utiliza una batería interna recargable de iones de litio para alimentar una bomba eléctrica de compresor de aire. La bomba eléctrica PumpZero está diseñada para brindar una alternativa más conveniente y consistente a las bombas manuales estándar. Funciona al presurizar el aire sobre el fluido en el tanque, y genera que el fluido pase a través de la manguera hacia la boquilla y se rocíe. Debido a que la bomba eléctrica PumpZero funciona cuando se presuriza el aire en el tanque, es importante que se obtenga un buen sello de aire cuando se ajuste la bomba.

Mientras se rocía activamente, es normal que la bomba se active y desactive por sí misma periódicamente; no se espera que se ejecute continuamente. La bomba presurizará el aire dentro del tanque, luego se desactivará y dejará que la presión del aire haga el trabajo de rociar el fluido. A medida que se rocíe el fluido, la presión del aire dentro del tanque disminuirá, lo que generará que en algún momento la bomba se active nuevamente. El hecho de que la bomba se active y desactive de esta manera permitirá que la batería dure más tiempo y otorgará mayor longevidad a la bomba, en comparación con una bomba de ejecución continuamente.

La bomba eléctrica PumpZero contiene una batería de iones de litio. El envío de baterías de iones de litio está sujeto a las regulaciones de envío internacional. En consecuencia, la batería debe estar en un estado de carga reducida para el envío, por lo que la bomba debe cargarse antes de su primer uso. Como ocurre con todos los productos que contienen baterías de iones de litio, consulte las instrucciones con su agente de envío local antes del envío de la bomba.

La bomba eléctrica PumpZero está equipada con una función de autoapagado que desactiva la bomba después de 2 horas de inactividad. Esto se realiza para prevenir que la batería se consuma en caso de que la bomba se deje activada cuando el atomizador no está en uso.

INSTRUCCIONES DE ENSAMBLAJE

Ensamblar la manguera al tanque

IMPORTANTE: No intente calentar o alterar la manguera, la tuerca o espiga de la manguera antes de ensamblar.

1. Alinee las estrías de la manguera, empuje la espiga de la manguera dentro del tanque hasta que tope (Figura A).
2. Deslice la tuerca de la manguera hasta su lugar y gire en dirección horaria para asegurarla (Figura B). (Ver Figura B).

Tuerca de la manguera

Espiga de la manguera

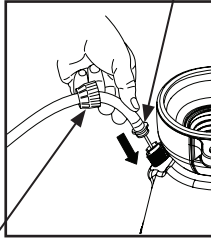


Figura A

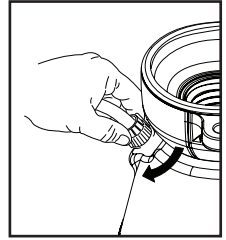


Figura B

NOTA: No use herramientas para apretar la tuerca de la manguera.

Ensamblar la varilla, la válvula de cierre y la boquilla

1. Instale la varilla en la válvula de cierre y ajuste la tuerca de forma segura. (Figura C, Paso 1)
2. Instale la boquilla seleccionada en el extremo de la varilla y apriete hasta que esté segura. (Figura C, Paso 2)

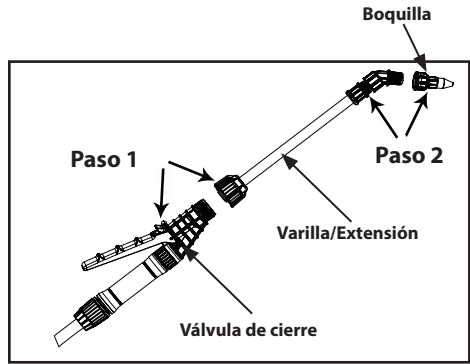


Figura C

SELECCIONAR LA BOQUILLA DE LA LISTA DE ABAJO

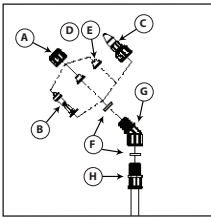


Figura D

- A. Tuerca ciega
- B. Boquilla para espuma
- C. Boquilla de cono ajustable
- D. Boquilla roja con ventilador para alto volumen
- E. Boquilla amarilla con ventilador para bajo volumen
- F. Sello plano
- G. Adaptador
- H. Varilla





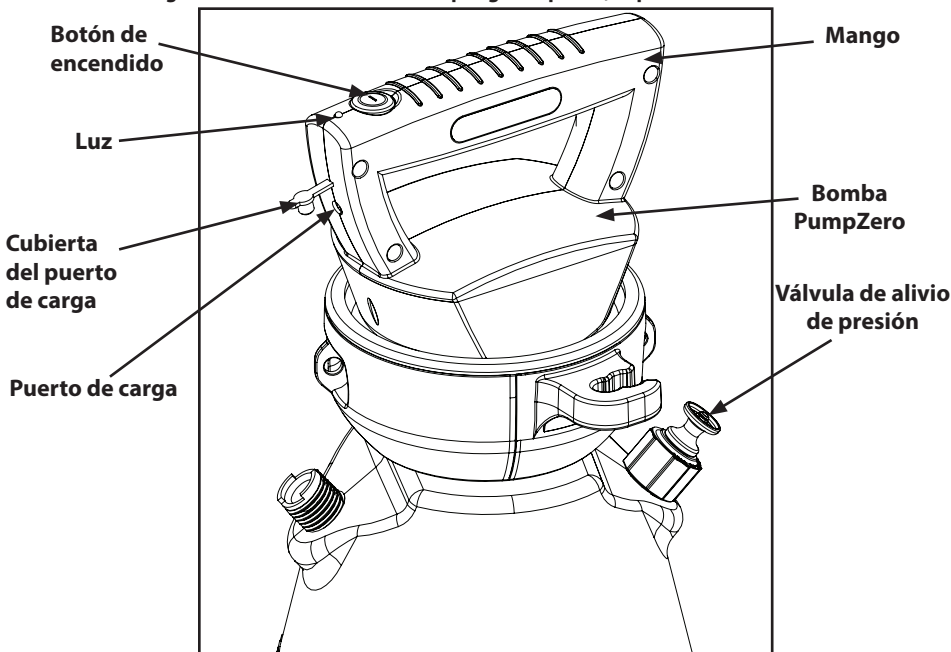
Usos de las boquilla como ajustables:	Usos de las boquilla espumantes:
 <ul style="list-style-type: none"> •Rociado localizado en o alrededor de arriates, árboles o arbustos. •Bordes a lo largo de cercas, entradas y caminos. •Destrucción de malezas, por ejemplo, hiedra venenosa, roble venenoso, kudzu y zarzamora silvestre. •Preparación de arriates de jardín para sembrar plantas ornamentales y vegetales. 	 <ul style="list-style-type: none"> •Rociado localizado de arriates, caminos, entradas y patios, alrededor de árboles y arbustos. •Bordures de lo largo de cercas, entradas y caminos. •Destrucción de malezas, por ejemplo, hiedra venenosa, roble venenoso, kudzu y zarzamora silvestre.
Usos de las boquilla roja con ventilador para alto volumen:	Usos de las boquilla amarilla con ventilador para bajo volumen:
 <ul style="list-style-type: none"> •Reemplazo de césped. Mate el césped y las malezas antes de sembrar el césped nuevo. •Preparación de áreas grandes para el sembrado de plantas ornamentales y vegetales. 	 <ul style="list-style-type: none"> •Para un rocío de precisión en zonas confinadas tales como jardines y maceteros.

Figura E

INSTRUCCIONES DE USO

ADVERTENCIA: RIESGO DE INCENDIO, QUEMADURAS Y CHOQUE ELÉCTRICO. Utilice un cargador solo en un lugar seco y libre de polvo y de cualquier líquido o vapor inflamable o combustible. Utilice solamente cargadores de Fountainhead Group, otros tipos de cargadores pueden causar fallas en la batería generar lesiones y daños físicos. No provoque un cortocircuito en los terminales del cargador o la batería. No cargue baterías dañadas. No lo exponga a líquidos, vapores o lluvia.



Carga de la batería interna de la bomba

1. En un lugar seco y limpio, inserte el enchufe del cargador en un tomacorriente eléctrico estándar. **Vea la Figura F.** En el extremo del mango de la bomba, retire la cubierta de goma para exponer el puerto de carga. Conecte el cable del cargador en el puerto de carga de la bomba. La luz en la parte superior de la bomba debería empezar a parpadear en color verde.

- La bomba no puede utilizarse cuando se está cargando. La bomba debe desconectarse del cargador para utilizarse nuevamente.
 - Si la luz de la bomba parpadea de color rojo, es porque la batería está demasiado caliente como para cargarse de forma segura. Esto puede ocurrir cuando la batería se usa exhaustivamente en un ambiente muy caliente o si la batería se guardó en un lugar muy caliente (como en un vehículo cerrado o una unidad de almacenamiento con un clima muy caliente). Si esto sucede, debe dejar que la batería se enfríe antes de que pueda cargarse.
 - Si la luz de la bomba parpadea rojo y verde alternativamente, significa que la batería está dañada y no puede cargarse dentro del límite de tiempo de carga segura. La batería interna no se puede reparar y se debe reemplazar la bomba.
- Asegúrese de que la bomba y el cargador estén ubicados donde no estén expuestos a líquidos, caídas u otras fuentes de daño mientras dure el periodo de carga.
 - Cuando la carga se complete, la luz permanecerá de color verde y se mantendrá encendida constantemente. El tiempo de carga variará según la condición de la batería al inicio de la carga. El tiempo de carga no debe exceder las 3 horas.
 - Retire el cable del cargador de la bomba cuando la carga termine. Las bombas no deben conectarse al cargador durante largos periodos de almacenamiento. Para asegurar la vida óptima de la bomba, esta debe cargarse al menos una vez cada 3 meses cuando no esté en uso.
 - Reinserte la cubierta de goma en el puerto de carga para protegerlo.
 - Desconecte el cargador del tomacorriente eléctrico de la pared cuando no esté en uso.

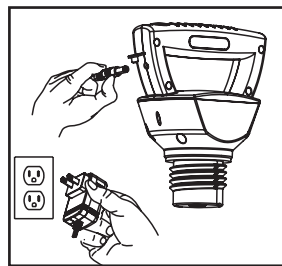


Figura F

Llenado del atomizador

ADVERTENCIA: RIESGO DE MUERTE, LESIÓN PERSONAL O DAÑO A LA PROPIEDAD DEBIDO A USO O MEZCLA INAPROPIADA DE ELEMENTOS QUÍMICOS. Nunca utilice líquidos inflamables o combustibles, agentes cáusticos, ácidos o agua caliente en este atomizador. Rocíar líquidos inflamables o combustibles puede crear gases que pueden encenderse debido al sistema eléctrico en el atomizador y generar una explosión. Siempre consulte las instrucciones del fabricante de la sustancia química para saber cómo mezclar correctamente. Siempre use equipo de protección personal adecuado según las instrucciones del fabricante químico cuando use, prepare, maneje, rocíe o deseche los químicos. Este equipo debe incluir, como mínimo, gafas de seguridad, guantes y ropa protectora.

PRECAUCIÓN: RIESGO DE DAÑO DE COMPONENTES INTERNOS. El uso de elementos químicos que no sean soluciones basadas en agua o solubles en agua podría dañar el atomizador y anulará la garantía.

1. Asegúrese de que la bomba esté apagada (la luz debe estar apagada).
2. Tire de la perilla de la válvula de alivio de presión hasta que se libere toda la presión del tanque (ver Figura G).

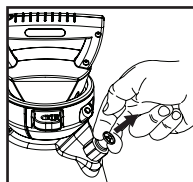


Figura G

2. Gire el mango de la bomba en sentido antihorario para retirar la bomba (ver Figura H).
3. Llene el tanque hasta el nivel deseado. Vea las marcas de llenado al lado del tanque. (Siempre consulte al fabricante de la sustancia química para saber cómo mezclar correctamente).
4. Instale la bomba en la abertura del tanque y gírela en sentido horario hasta que se selle de forma ajustada en el tanque (ver Figura I).

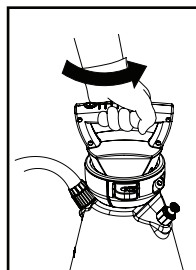


Figura H

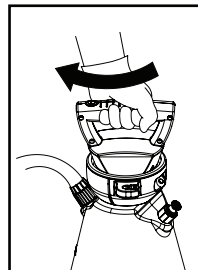


Figura I

Encendido y rociado:

ADVERTENCIA: RIESGO DE ROCIADO NO DESEADO Y EXPOSICIÓN QUÍMICA. Asegúrese de que la válvula de cierre esté en posición cerrada (palanca suelta) antes de presionar el botón de encendido. El atomizador rociará si la válvula de cierre está abierta (palanca presionada) cuando el botón de encendido se presione. Solo rocíe cuando el aire esté calmado (sin viento o movimientos en el aire) para evitar el rociado de químicos en áreas no deseadas.

CONTINUACIÓN DE INSTRUCCIONES DE OPERACIÓN

1. La bomba PumpZero debe cargarse para que el atomizador funcione. Ver Carga de la batería interna de la bomba.
2. Presione el botón de encendido de la bomba y empiece a presurizar el tanque.
 - a. La luz en la parte superior debería ponerse de color verde y se debería escuchar un zumbido que indique que la bomba funciona y presuriza el tanque.
 - b. La bomba se apagará cuando el tanque esté presurizado. Este proceso podría tomar desde 30 segundos hasta varios minutos según el tamaño del tanque y la cantidad de líquido que contenga.
 - c. Se puede comenzar a rociar antes de que el tanque esté completamente presurizado, pero para evitar un patrón de rociado subóptimo, se recomienda esperar al menos 20 segundos para permitir que se acumule algo de presión en el tanque.
3. Apunte la varilla en la dirección de rociado deseada y presione la palanca de cierre.
(Ver Figura K)
4. Para un rociado continuo, presione la palanca y rote el bloqueo para mantener la palanca en la posición presionada.
5. Retire el seguro si es necesario y suelte la palanca de la válvula de cierre para dejar de rociar.
6. Para apagar el atomizador presione el botón de encendido. La luz se apagará.
7. Tenga en cuenta que el tanque seguirá presurizado incluso cuando la bomba esté apagada.
8. Siempre retire los elementos químicos y limpie el atomizador cuando lo deje de usar. Ver *Limpieza y almacenamiento*.

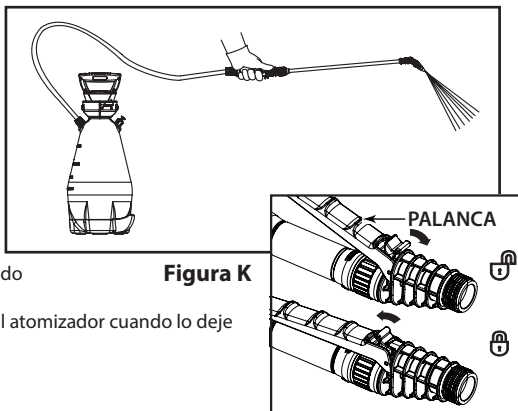


Figura K

Indicador de batería baja

La bomba está equipada con un indicador de batería baja. Cuando la bomba esté funcionando, la luz en la parte superior de la bomba cambiará de un verde fijo a un verde parpadeante cuando a la batería le quede un 25% de carga. Normalmente esto es suficiente para terminar el rociado del tanque de fluido actual y un tanque adicional. Luego de terminar, la bomba debería cargarse. Ver *Carga de la batería interna de la bomba*. Cuando la batería esté completamente sin carga, la luz se apagará y la bomba dejará de funcionar.

MANTENIMIENTO DEL ATOMIZADOR

Limpieza y almacenamiento

ADVERTENCIA: RIESGO DE LESIONES PERSONALES DEBIDO A EXPOSICIÓN QUÍMICA. Siempre use equipo de protección personal adecuado según las instrucciones del fabricante químico cuando use, prepare, maneje, rocíe o deseche los químicos. Este equipo debe incluir, como mínimo, gafas de seguridad, guantes y ropa protectora. Antes de realizar el mantenimiento, siempre despresurice el atomizador al apagar la bomba y la válvula de alivio de presión hasta que no quede presión en el tanque.

PRECAUCIÓN: RIESGO DE DAÑO DE COMPONENTES INTERNOS. La falta de enjuague adecuado del atomizador podría permitir que se acumulen residuos químicos que pueden obstruir o dañar los filtros, la bomba, la válvula de cierre, la varilla y la boquilla. La acumulación de residuos químicos también puede contaminar las aplicaciones subsiguientes. Dejar líquidos químicos en el atomizador cuando no está en uso podría causar su desgaste prematuro. Nunca guarde el atomizador con elementos químicos en ninguna de sus piezas.

Continuación de limpieza y mantenimiento:

1. Apague la bomba al presionar el botón de encendido. La luz en la parte superior de la bomba debería apagarse.
2. Tome la válvula de alivio de presión por el costado del tanque y júlela con gentileza hasta que el aire dentro del tanque deje de salir.
3. Retire la bomba del tanque al girar en sentido antihorario. Evite colocar la bomba donde podría contaminarse con suciedad, pedazos de hierbas o restos que podrían entrar después en el tanque.
4. Vacíe cualquier químico adicional del tanque en un contenedor adecuado para usarlo después o desecharlo según las instrucciones del fabricante de la sustancia química.
5. Utilice agua limpia para vaciar el tanque y enjuagarlo completamente hasta retirar todas las sustancias químicas.
6. Utilice un trapo húmedo para limpiar el fondo de la bomba hasta sacar todas las sustancias químicas y los residuos. No enjuague la bomba con una manguera ni la sumerja en agua, ya que el agua puede ingresar en la carcasa y puede dañar los componentes eléctricos, provocar la inoperatividad de la bomba y anular la garantía.
7. Agregue aproximadamente un cuarto de galón (1 litro) de agua limpia al tanque.
8. Fije la bomba al tanque y ajuste con firmeza.
9. Presione el botón de encendido para que la bomba presurice el tanque.
10. Con agua limpia en el tanque, rocíe agua por la manguera, la válvula de cierre, la varilla y la boquilla por al menos 30 segundos con la finalidad de enjuagarlas. La falta de un enjuague adecuado de la manguera, la válvula de cierre, la varilla y la boquilla podría permitir que se acumulen residuos químicos que pueden obstruir o dañar los componentes. Después de un uso intensivo, enjuagar la boquilla podría no ser suficiente para eliminar los residuos. La boquilla podría requerir limpieza con un pequeño cepillo.
11. Para apagar la bomba, presione el botón de encendido.
12. Active la válvula de alivio de presión por el costado del tanque para aliviar la presión.
13. Retire la bomba. Evite colocar la bomba donde podría contaminarse con suciedad, pedazos de hierbas o restos que podrían entrar después en el tanque.
14. Abra la válvula de cierre (presione la palanca) para drenar cualquier resto de agua de la manguera, la válvula de cierre y la varilla.
15. Vacíe cualquier resto de agua del tanque.
16. Deje que el atomizador se seque. Esto se logra de forma más efectiva al colgar el tanque boca abajo y dejarlo drenar.
17. Una vez que el atomizador esté seco, gire el atomizador a la forma vertical y ensamble sin apretar la bomba con el tanque para evitar ingresen restos al tanque.
18. Guarde el atomizador, la bomba, y el cargador en interiores en un lugar templado y seco, fuera del alcance de la luz solar directa y lejos de cualquier fuente de humedad o calor intenso. No guarde el atomizador donde haya temperaturas gélidas (debajo de 32°F/0°C). Permitir que el agua se congele dentro del atomizador puede causar daños a la bomba, los sellos, la válvula de cierre u otros componentes, y anulará la garantía del atomizador.
19. Para asegurar la vida óptima de la batería, esta debe cargarse al menos una vez cada 3 meses cuando no esté en uso. Ver *Carga de la batería interna de la bomba*.

INSTRUCCIONES DE MANTENIMIENTO

Mantenimiento del dispositivo de cierre (Smith Pro)

ADVERTENCIA: Antes de realizar el mantenimiento, siempre despresurice el atomizador al presionar el botón de encendido y dejarlo en apagado (OFF) y luego manipule la válvula de alivio de presión hasta que toda la presión de aire se haya retirado.

1. Desatornille el mango de la válvula de cierre. (Ver Figura L).
2. Retire el filtro del ensamble de la válvula de cierre.
3. Limpie todo residuo presente en el interior del mango, el ensamble de la válvula de cierre o el filtro al enjuagarlos con agua limpia y fresca.
4. Vuelva a ensamblar los componentes según se muestra en la figura y apriete todas las conexiones hasta que queden aseguradas.

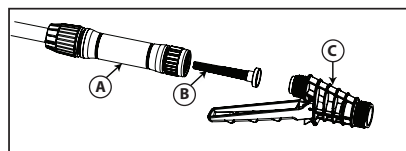


Figura L

- A. Mango
- B. Filtro
- C. Dispositivo de cierre

Mantenimiento de la boquilla

ADVERTENCIA: Antes de realizar el mantenimiento, siempre despresurice el atomizador al presionar el botón de encendido y dejarlo en apagado (OFF) y luego manipule la válvula de alivio de presión hasta que toda la presión de aire se haya retirado.

1. Si la boquilla se atasca, retírela y desarme el ensamblaje de la boquilla.
2. Retire todas las obstrucciones o los residuos presentes en las aberturas. No use herramientas afiladas que puedan raspar o dañar la boquilla, ya que esto podría afectar el patrón de rociado.

Mantenimiento de la bomba PumpZero

La bomba PumpZero no necesita mantenimiento regular aparte de la carga y la limpieza regular. Ver *Carga de la batería interna de la bomba y Limpieza y almacenamiento.*

INFORMACIÓN DE CUMPLIMIENTO

Cumplimiento de FCC:

El dispositivo cumple con la parte 15 de las normas de FCC. El uso está sujeto a las siguientes dos condiciones: (1) Este dispositivo no puede causar interferencias perjudiciales, y (2) este dispositivo debe aceptar cualquier interferencia recibida, incluidas las interferencias que puedan causar un funcionamiento no deseado.

Nota: Este equipo se ha probado y cumple con los límites para un dispositivo digital de Clase B, de conformidad con la parte 15 de las normas de FCC. Estos límites están diseñados para proporcionar una protección razonable contra interferencias perjudiciales en una instalación residencial. Este equipo genera, utiliza y puede emitir energía de radiofrecuencia y, si no se instala y utiliza de acuerdo con las instrucciones, puede causar interferencias perjudiciales en las comunicaciones de radio. Sin embargo, no hay garantía de que no se produzcan interferencias en una instalación en particular. Si este equipo causa interferencias perjudiciales en la recepción de radio o televisión, lo cual puede determinarse al encender y apagar el equipo, se recomienda al usuario que intente corregir la interferencia mediante una o más de las siguientes medidas:

- Reoriente o reubique la antena receptora.
- Aumente la separación entre el equipo y el receptor.
- Conecte el equipo a un tomacorriente en un circuito diferente al que está conectado el receptor.
- Consulte con el distribuidor o con un técnico de radio/TV experimentado para obtener ayuda.

Canada IC:

CAN ICES-3 (B)/NMB-3(B)

SOLUCIÓN DE PROBLEMAS

English

Español

Français

PROBLEMA	BUSCAR	SOLUCIÓN
El atomizador no se enciende cuando el botón de encendido está presionado (no se escucha el zumbido audible de la bomba).	<ol style="list-style-type: none"> 1. La batería no está cargada. La luz no se enciende. 2. La bomba está dañada, sobrecalentada o inoperativa. Inspeccione visualmente la bomba en busca de daños. Utilice el cargador para diagnosticar cualquier problema de batería. Ver <i>Carga de la batería interna de la bomba</i>. 3. El tanque ya está presurizado y, por eso, la bomba se apagó automáticamente. 4. La bomba está conectada al cargador. 	<ol style="list-style-type: none"> 1. Cargue la bomba si ninguna luz está encendida. Ver <i>Carga de la batería interna de la bomba</i>. 2. Reemplace la bomba si está dañada o si no funciona. Deje que la batería se enfríe si está sobrecalentada. 3. Abra la válvula de cierre (presione la palanca) para ver si el atomizador empieza a rociar. 4. Desconecte el cargador.
El atomizador se enciende (se escucha el zumbido de la bomba) pero no rocía.	<ol style="list-style-type: none"> 1. No hay líquido en el tanque. 2. La válvula de cierre está obstruida. 3. La boquilla está obstruida. 4. La bomba no está ajustada al tanque, hay fugas en el sello. 	<ol style="list-style-type: none"> 1. Agregue líquido al tanque. Ver <i>Llenado del atomizador</i>. 2. Limpie la válvula de cierre. Ver <i>Mantenimiento de la válvula de cierre</i>. 3. Limpie la boquilla. Ver <i>Mantenimiento de la boquilla</i>. 4. Ajuste la bomba al tanque.
El atomizador se enciende pero solo rocía en presión baja.	<ol style="list-style-type: none"> 1. El tanque aún no está presurizado. 2. Hay fuga de aire del tanque en el sello. 3. El sello del tanque o las superficies del sello están dañados. 4. La válvula de cierre está obstruida. 5. La boquilla está obstruida. 	<ol style="list-style-type: none"> 1. Permita tiempo para que la bomba presurice el tanque (al menos 20 segundos). 2. Ajuste la bomba al tanque. 3. Reemplace el sello del tanque. 4. Limpie la válvula de cierre. Ver <i>Mantenimiento de la válvula de cierre</i>. 5. Limpie la boquilla. Ver <i>Mantenimiento de la boquilla</i>.
La manguera gotea en la conexión del tanque.	<ol style="list-style-type: none"> 1. Manguera agrietada, hinchada o defectuosa. 2. Conexión dañada. 	<ol style="list-style-type: none"> 1. Remplace el ensamblaje de la válvula de cierre. 2. Remplace el ensamblaje de la válvula de cierre.
La manguera gotea en la válvula de cierre.	<ol style="list-style-type: none"> 1. Manguera agrietada, hinchada o defectuosa. 2. Conexión dañada. 	<ol style="list-style-type: none"> 1. Remplace el ensamblaje de la válvula de cierre. 2. Remplace el ensamblaje de la válvula de cierre.
La boquilla chorrea cuando la palanca de la válvula de cierre se libera.	<ol style="list-style-type: none"> 1. Suciedad o residuos en la válvula de cierre. 2. Junta tórica o sello dañado en el dispositivo de cierre. 	<ol style="list-style-type: none"> 1. Limpie el ensamblaje de la válvula de cierre. 2. Remplace el ensamblaje de la válvula de cierre.

CONTINUACIÓN DE SOLUCIÓN DE PROBLEMAS

PROBLEMA	BUSCAR	SOLUCIÓN
Patrón de rociado deficiente.	<ol style="list-style-type: none"> 1. El tanque no está presurizado. 2. No hay luces iluminadas en la bomba. El cargador está conectado al tomacorriente. 3. Boquilla dañada. 4. La válvula de cierre está obstruida. 	<ol style="list-style-type: none"> 1. Encienda la bomba. 2. Limpie la boquilla. Ver <i>Mantenimiento de la boquilla</i>. 3. Reemplace la boquilla. 4. Limpie la válvula de cierre. Ver <i>Mantenimiento de la válvula de cierre</i>.
La batería no carga.	<ol style="list-style-type: none"> 1. El cargador no está conectado al tomacorriente. 2. No lights illuminated on Pump. Charger plugged into outlet. 3. No hay luces iluminadas en la bomba. El cargador está conectado al tomacorriente, el tomacorriente funciona. 4. La luz roja sigue parpadeando en la bomba (la temperatura de la batería es muy alta para cargar con seguridad). 5. Luces de color rojo y verde parpadean alternativamente en la bomba (la batería no puede cargarse). 	<ol style="list-style-type: none"> 1. Conecte el cargador al tomacorriente. 2. Revise que el tomacorriente funcione. 3. Reemplace el cargador. 4. Deje que la bomba se enfríe. 5. Reemplace la bomba.

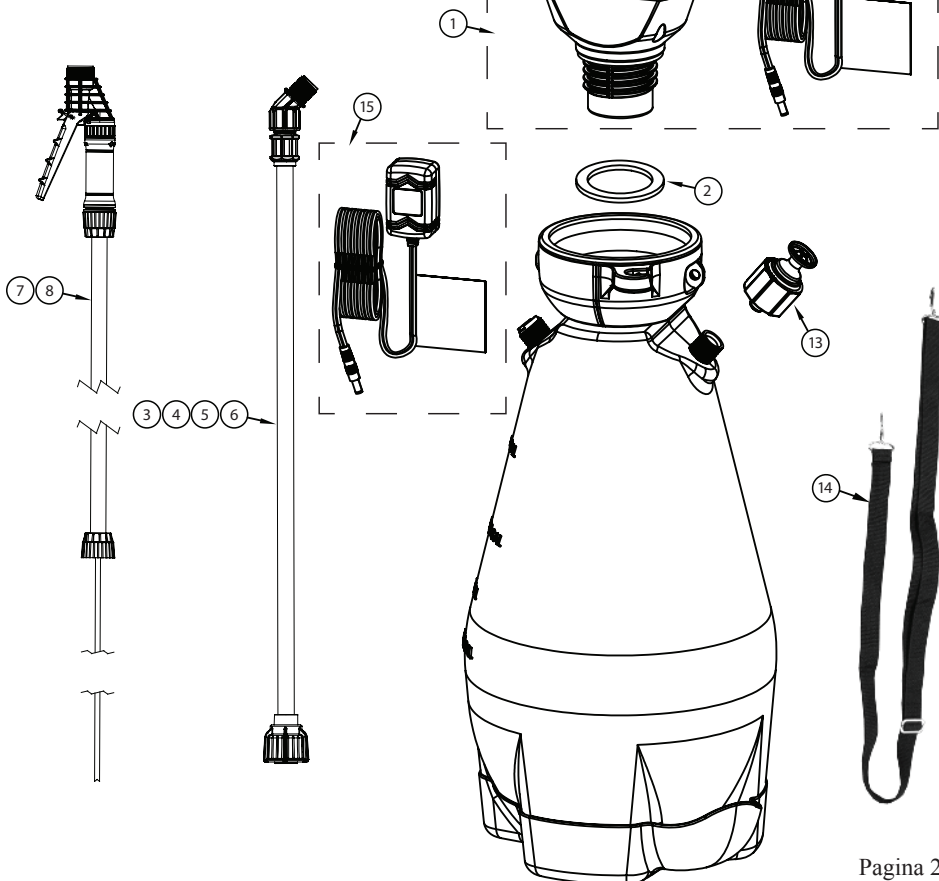
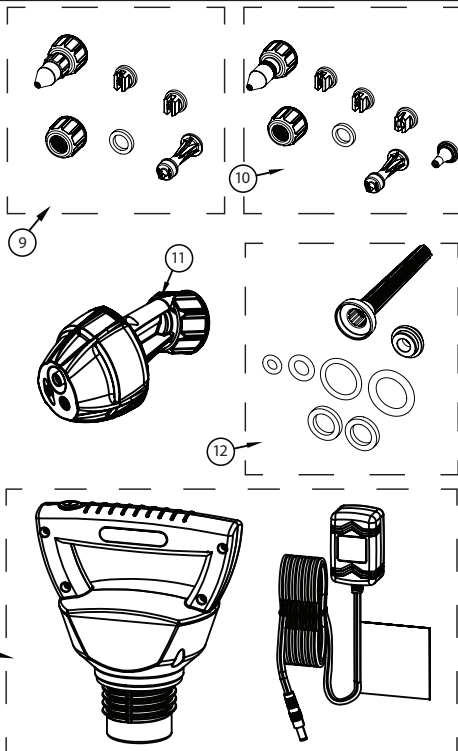
JUEGOS, PIEZAS Y ACCESORIOS

English

Español

Français

No. DE CLAVE	No. DE PIEZA	DESCRIPCIÓN
1	184175	BOMBA, CARGADOR Y JUNTA
2	178039V	JUNTA (REEMPLAZO, VITON)
3	181845	VARILLA DE POLICARBONATO, 14 in
4	181843	VARILLA DE POLICARBONATO, 18 in
5	181824	VARILLA DE POLICARBONATO, 21 in
6	182112	VARILLA DE ACERO INOXIDABLE, 21 in
7	183173	MANGUERA Y VÁLVULA DE CIERRE (1 y 2 GALONES)
8	183174	MANGUERA Y VÁLVULA DE CIERRE (3 GALONES)
9	181869	JUEGO DE BOQUILLA DE POLICARBONATO
10	181870	JUEGO DE BOQUILLA DE COBRE
11	182902	BOQUILLA DE 3 VÍAS (REEMPLAZO, VITON, NEGRA)
12	181910	JUEGO DE REPARACIÓN DE VÁLVULA DE CIERRE
13	182495	VÁLVULA DE ALIVIO DE PRESIÓN (REEMPLAZO, VITON)
14	181080	CORREA DE HOMBRO
15	183563	CARGADOR



**LOS JUEGOS DE REPARACIÓN, PIEZAS Y ACCESORIOS SE ENCUENTRAN
DISPONIBLES COMUNICÁNDOSE A**

The Fountainhead Group, Inc. - Centro deservicio al cliente

De lunes a viernes de 8 A.M. a 5 P.M., EST

Llame sin costo al: 1-800-311-9903

o

Correo electrónico: Info@TheFGI.com

o

Ingresa en línea a: www.TheFountainheadGroup.com



The
Fountainhead
Group, Inc.

PUMP ZERO
TECHNOLOGY

Pulvérisateur électrique à batteries

Guide d'utilisation et d'entretien



⚠ AVERTISSEMENT : Lire et suivre toutes les instructions

Ne pas retourner ce pulvérisateur au magasin
Si vous avez besoin d'aide, de renseignements ou de pièces,
appelez au : 1-800-311-9903

The Fountainhead Group, Inc.

23 Garden St., New York Mills, NY 13417

1-800-311-9903

www.TheFountainheadGroup.com

Manual No. 183994

Rev E: 04/12/21

5 1/2" X 8 1/2" Booklet

⚠ MESURES DE SÉCURITÉ

- L'utilisateur doit lire et comprendre le contenu du guide d'utilisation en entier avant d'utiliser ce pulvérisateur
- Ne jamais utiliser de liquides inflammables, combustibles, corrosifs, acides ou chauds à l'intérieur du pulvérisateur.
- Toujours porter de l'équipement de protection personnel approprié tel qu'indiqué par le fabricant de produits chimiques lorsque vous utilisez, préparez, manipulez, pulvérisez ou éliminez des produits chimiques. Ceci comprend au minimum des lunettes, gants et vêtements de protection.
- Veuillez lire et suivre toutes les instructions et les avertissements sur l'étiquette des produits que vous utilisez à l'intérieur du pulvérisateur.
- Pour éviter que la pile prenne feu ou explose, utilisez seulement les chargeurs Fountainhead Group en bon état qui ne sont pas endommagés.
- Inspecter le pulvérisateur, le boyau, le dispositif d'arrêt et la tige pour tout dommage ou raccord desserré avant chaque utilisation.
- Toujours utiliser des pièces de remplacement du fabricant original.
- Ne jamais tenter de modifier le pulvérisateur de son état original.
- Toute modification au pulvérisateur qui n'a pas été expressément approuvée par le fabricant annule l'autorisation de l'utilisateur à faire fonctionner l'appareil et révoque la garantie.
- Ne pas soulever le pulvérisateur par le boyau, le dispositif d'arrêt ou la tige. Transporter seulement à l'aide de la poignée.
- Pulvériser seulement par temps calme (sans vent) afin de prévenir que les produits chimiques ne s'étendent au-delà de la zone voulue.
- Entreposer le pulvérisateur, la pompe et le chargeur dans un endroit sec et chaud à l'intérieur, à l'abri des rayons du soleil, éloigné de toute source d'humidité ou de chaleur intense. Ne pas entreposer le pulvérisateur où les températures peuvent atteindre le point de congélation (moins de 32°F/0°C). Si le liquide à l'intérieur du pulvérisateur gèle, il est possible d'endommager la pompe, les joints d'étanchéité, le dispositif d'arrêt ou autres composants et annuler la garantie.
- Tenir le pulvérisateur et tout produit chimique hors de la portée des enfants.
- Toujours éliminer les résidus de produits chimiques et bien nettoyer le pulvérisateur après chaque utilisation. Un nettoyage non-adéquat du pulvérisateur peut causer une contamination

Renseignements sur le pulvérisateur

AVERTISSEMENT: RISQUE DE FEU, BRÛLURES OU CHOC ÉLECTRIQUE. Pour réduire le risque de blessure, l'utilisateur doit lire et suivre toutes les instructions de ce manuel avant d'utiliser ce pulvérisateur.

Ce pulvérisateur à air comprimé alimenté par pile est conçu pour pulvériser des solutions hydrosolubles, tel des herbicides, pesticides et autres produits chimiques liquides typiquement utilisés pour la prévention et le traitement de mauvaises herbes, le contrôle des insectes, l'application de fertilisant et l'arrosage.

Ce pulvérisateur utilise une pile rechargeable au lithium-ion pour alimenter une pompe à air comprimé électrique. La conception de la pompe électrique PumpZero en fait une alternative plus commode et fiable qu'une pompe manuelle standard. Elle fonctionne en pressurant l'air au-dessus du liquide dans le réservoir, ce qui pousse le fluide à travers le boyau jusqu'à la buse pour être pulvérisé. Puisque la pompe électrique PumpZero fonctionne par la mise sous pression de l'air à l'intérieur du réservoir, il est important de refermer hermétiquement la pompe à l'intérieur du réservoir.

Lors de la pulvérisation, il est normal que la pompe s'active et s'éteigne périodiquement; elle ne devrait pas fonctionner constamment. La pompe mettra l'air à l'intérieur du réservoir sous pression et s'éteindra afin que l'air pressurisé pulvérise le liquide. À mesure que le liquide est pulvérisé, la pression d'air à l'intérieur du réservoir diminuera et la pompe se réactivera. Une pompe qui s'allume et s'éteint ainsi permet une plus longue vie à la pile et une meilleure longévité de la pompe comparativement à une pompe qui fonctionne sans arrêt.

La pompe électrique PumpZero contient une pile interne au lithium-ion. Le transport de piles lithium-ion est soumis à des réglementations internationales. En conséquence, la pile doit être expédiée avec une charge réduite; il est donc nécessaire de charger la pompe avant la première utilisation. Comme pour tous les produits à piles lithium-ion, veuillez consulter votre agent d'expédition avant d'expédier cette pompe.

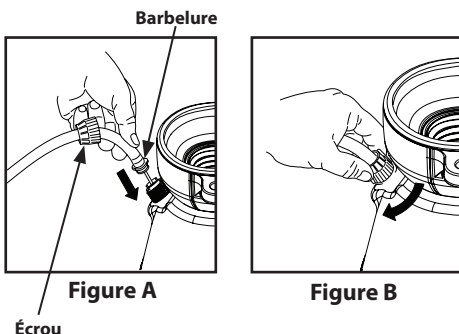
La pompe électrique PumpZero est équipée d'un dispositif d'arrêt automatique qui éteint la pompe après 2 heures d'inactivité. Ce dispositif prévient que la pile ne soit vidée si la pompe n'a pas été éteinte après l'utilisation du pulvérisateur.

Assembler le boyau au réservoir

Important : ne jamais tenter de chauffer ou d'altérer le boyau, l'écrou ou la barbelure avant l'assemblage.

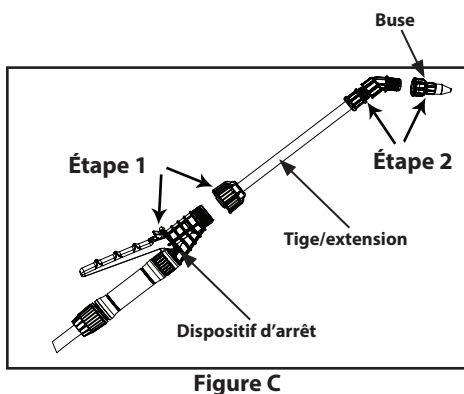
1. Aligner les languettes de la barbelure, et pousser la barbelure dans le réservoir jusqu'à la butée (voir Figure A).
2. Glisser l'écrou en place et tourner dans le sens des aiguilles d'une montre pour serrer (voir Figure B).

À NOTER : Ne pas utiliser d'outils pour serrer l'écrou.



Assemblage de la tige, du dispositif d'arrêt et de la buse

1. Installer la tige sur le dispositif d'arrêt et serrer fermement l'écrou. (Figure C, Étape 1)
2. Installer la buse choisie au bout de la tige et serrer fermement. (Figure C, Étape 2)



CHOISIR LA BUSE EN VOUS RÉFÉRANT AU TABLEAU

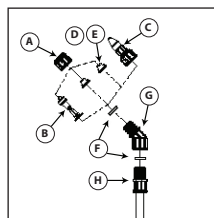


Figure D

- A. Écrou borgne
 B. Buse à jet mousse
 C. Buse réglable à jet conique
 D. Buse rouge à jet éventail à haut volume
 E. Buse jaune à jet éventail à bas volume
 F. Joint plat
 G. Adaptateur
 H. Tige


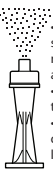


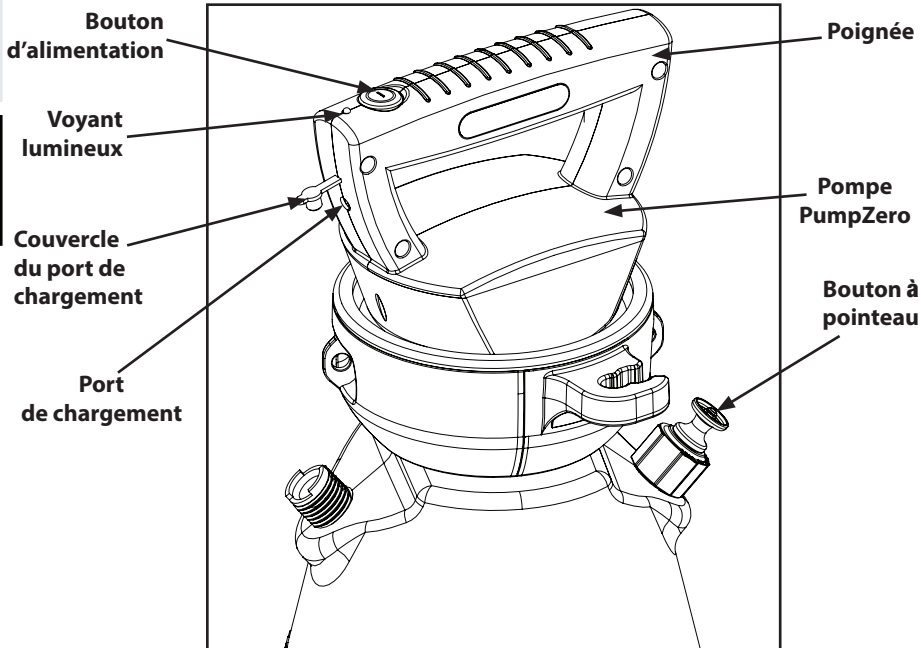
Usages de la buse réglable :	Usages de la buse à jet mousse :
 <ul style="list-style-type: none"> •Pulvérisation localisée dans ou autour des massifs fleuris, des arbres et des arbustes. •Bordures de clôture, de stationnement ou de sentier. •Débroussaillage de l'herbe à puce, du sumac de l'Ouest, du kudzu et de la ronce commune. •Préparation du terrain avant la plantation de plantes ornementales ou potagères. 	 <ul style="list-style-type: none"> •Pulvérisation localisée dans les massifs fleuris, les sentiers, les stationnements, les terrasses et autour des arbres et des arbustes. •Bordures de clôture, de stationnement ou de sentier. •Débroussaillage de l'herbe à puce, du sumac de l'Ouest, du kudzu et de la ronce commune.
Usages de la buse rouge à jet éventail à haut volume :	Usages de la buse jaune à jet éventail à bas volume :
 <ul style="list-style-type: none"> •Remise à neuf d'une pelouse en tuant le gazon et les mauvaises herbes avant de poser la nouvelle tourbe. •Préparation d'une grande surface avant la plantation de plantes ornementales ou potagères. 	 <ul style="list-style-type: none"> •Pulvérisation localisée dans les zones exigües comme les potagers et les massifs fleuris.

Figure E

MODE D'EMPLOI

AVERTISSEMENT : RISQUE D'INCENDIE, BRÛLURES OU CHOC ÉLECTRIQUE. Utiliser le chargeur seulement dans un endroit sans poussière, libre de tout liquide ou vapeur inflammable ou combustible. Utiliser seulement avec les chargeurs de marque Fountainhead Group – d'autres chargeurs pourraient causer des défaillances des piles résultant en blessures ou dommage. Ne mettez pas le chargeur ou les bornes de batteries en court-circuit. Ne pas charger les piles endommagées. Ne pas exposer aux liquides, vapeurs ou à la pluie.



Chargement de la pile interne de la pompe

1. Dans un endroit propre et sec, insérer la fiche du chargeur dans une prise de courant électrique murale standard. Voir Figure F. Au bout de la poignée de la pompe, soulever le couvercle de caoutchouc pour exposer le port de chargement. Brancher le câble dans le port de chargement de la pompe. Le voyant lumineux devrait commencer à clignoter vert.

a. Il n'est pas possible d'opérer la pompe lorsqu'elle charge.

La pompe doit être déconnectée du chargeur pour permettre l'utilisation.

b. Si le voyant lumineux sur la pompe clignote rouge, la température de la pile est trop élevée pour être rechargée de façon sécuritaire. Ceci peut se produire lorsqu'on fait une utilisation prolongée de la pile par temps très chaud ou si elle est entreposée dans un endroit très chaud (comme dans un véhicule ou une unité de stockage par temps très chaud). Si c'est le cas, la pile doit avoir le temps de refroidir avant d'être chargée.

c. Si le voyant lumineux alterne vert et rouge dans son clignotement, la pile est endommagée et ne peut être chargée dans le délai de chargement sécuritaire. La pile interne ne peut être réparée, la pompe doit être remplacée.

2. Veiller à ce que la pompe et le chargeur sont placés où ils ne seront pas exposés à des liquides, une chute ou autres sources de dommage potentiel pour toute la durée de la période de chargement.

3. Une fois le chargement terminé, le voyant lumineux demeurera allumé et vert. Le temps de chargement variera en fonction de l'état de la pile au début du chargement. Le temps de chargement ne devrait pas excéder 3 heures.

4. Débrancher le câble de chargement une fois le chargement terminé. La pompe ne devrait pas être connectée au chargeur pendant de longues périodes d'entreposage. Pour assurer l'état optimal de la pile, la pompe devrait être chargée à tous les trois mois lorsqu'elle n'est pas utilisée.

5. Remplacer le couvercle de caoutchouc sur le port de chargement pour le protéger.

6. Débrancher le chargeur de la prise de courant murale lorsque vous ne l'utilisez pas.

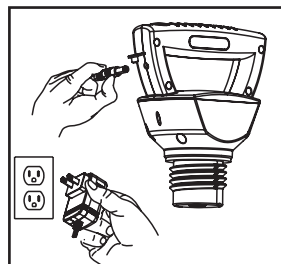


Figure F

chaud (comme dans un véhicule ou une unité de stockage par temps très chaud). Si c'est le cas, la pile doit avoir le temps de refroidir avant d'être chargée.

c. Si le voyant lumineux alterne vert et rouge dans son clignotement, la pile est endommagée et ne peut être chargée dans le délai de chargement sécuritaire. La pile interne ne peut être réparée, la pompe doit être remplacée.

2. Veiller à ce que la pompe et le chargeur sont placés où ils ne seront pas exposés à des liquides, une chute ou autres sources de dommage potentiel pour toute la durée de la période de chargement.

3. Une fois le chargement terminé, le voyant lumineux demeurera allumé et vert. Le temps de chargement variera en fonction de l'état de la pile au début du chargement. Le temps de chargement ne devrait pas excéder 3 heures.

4. Débrancher le câble de chargement une fois le chargement terminé. La pompe ne devrait pas être connectée au chargeur pendant de longues périodes d'entreposage. Pour assurer l'état optimal de la pile, la pompe devrait être chargée à tous les trois mois lorsqu'elle n'est pas utilisée.

5. Remplacer le couvercle de caoutchouc sur le port de chargement pour le protéger.

6. Débrancher le chargeur de la prise de courant murale lorsque vous ne l'utilisez pas.

Remplir le pulvérisateur

AVERTISSEMENT : RISQUE DE MORT, DE BLESSURE ET/OU DE DOMMAGE À LA PROPRIÉTÉ RÉSULTANT D'UNE UTILISATION OU D'UN MÉLANGE CHIMIQUE INADÉQUATS. Ne jamais utiliser des liquides ou substances inflammables, combustibles, caustiques ou acides ou de l'eau chaude dans ce pulvérisateur. La pulvérisation de liquides inflammables ou combustibles peut créer des vapeurs inflammables qui pourraient être enflammées par le système électrique du pulvérisateur et causer une explosion. Toujours vous référer au mode d'emploi du fabricant des produits chimiques pour connaître le mélange adéquat des produits. Toujours porter de l'équipement de protection personnel approprié, tel qu'indiqué par le fabricant du produit chimique lorsque vous utilisez, préparez, manipulez, pulvérisiez ou éliminez des produits chimiques. Au minimum des lunettes, des gants et des vêtements de protection.

MISE EN GARDE : RISQUE DE DOMMAGE AUX COMPOSANTS INTERNES. L'utilisation de produits chimiques autres que des solutions aqueuses ou hydrosolubles peut endommager le pulvérisateur et annuler la garantie.

1. Veiller à ce que la pompe soit ÉTEINTE (le voyant lumineux est ÉTEINT).
2. Tirer sur le bouton à pointe jusqu'à ce que la pression du réservoir soit totalement relâchée. (voir Figure G).

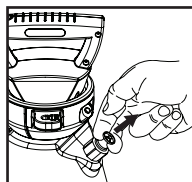


Figure G

3. Tourner la poignée de la pompe dans le sens antihoraire pour enlever la pompe. (voir Figure F).
4. Remplir le réservoir jusqu'au niveau désiré à l'aide des gradations sur la paroi. (Toujours utiliser le mélange recommandé par le fabricant de produits chimiques).
5. Installer la pompe dans l'ouverture du réservoir et tourner dans le sens des aiguilles d'une montre jusqu'à ce que la pompe soit hermétiquement installée contre le réservoir (voir Figure I).

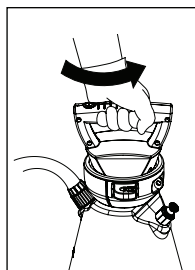


Figure H

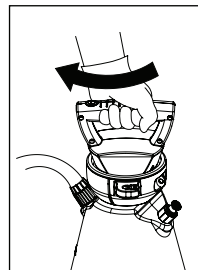


Figure I

Alimentation et pulvérisation :

AVERTISSEMENT : RISQUE DE PULVÉRISATION INVOLONTAIRE ET D'EXPOSITION CHIMIQUE. Veiller à ce que le dispositif d'arrêt soit en position fermée (levier relâché) avant d'appuyer sur le bouton de mise en marche. Le pulvérisateur pulvérisera si le levier est déclenché lorsque le pulvérisateur est mis en marche. Pulvériser seulement par temps calme (sans vent ou courants d'air) afin d'éviter la pulvérisation de produits chimiques dans un endroit imprévu.

MODE D'EMPLOI (SUITE)

1. La pompe PumpZero doit être chargée pour que le pulvérisateur fonctionne. Voir *Chargement de la pile interne de la pompe*.
2. Appuyer le bouton de mise en marche pour allumer la pompe et pour mettre le réservoir sous pression.
 - a. Le voyant lumineux devrait être vert et on devrait entendre un ronflement audible qui indique que la pompe fonctionne et qu'elle met le réservoir sous pression.
 - b. La pompe s'éteindra une fois le réservoir sous pression, ce qui devrait durer entre 30 secondes et plusieurs minutes, selon la taille du réservoir et la quantité de liquide qui s'y trouvent.
 - c. Il est permis de commencer la pulvérisation avant que le réservoir soit complètement sous pression mais afin d'obtenir une pulvérisation optimale, il est recommandé d'attendre au moins 20 secondes pour permettre à la pression de monter à l'intérieur du réservoir.
3. Orienter la tige dans la direction de pulvérisation désirée et appuyer sur le levier du dispositif d'arrêt (**voir Figure K**).
4. Pour une pulvérisation continue, appuyer sur le levier et tourner l'écrou de verrouillage pour maintenir le levier en position actionnée.
5. Déverrouiller, au besoin, et désactiver le levier pour arrêter la pulvérisation.
6. Pour fermer le pulvérisateur, appuyer sur le bouton de mise en marche. Le voyant lumineux s'éteindra.
7. Veuillez noter que le réservoir est toujours sous pression même si la pompe a été fermée.
8. Toujours retirer les produits chimiques et nettoyer le réservoir après chaque utilisation. Voir "Nettoyage et entreposage".

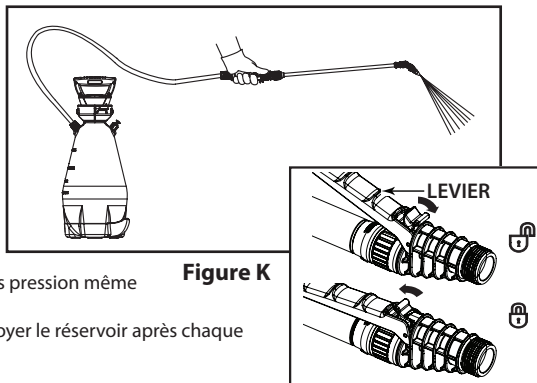


Figure K

Indicateur de pile faible

La pompe est équipée d'un indicateur de pile faible. Lorsque la pompe fonctionne, le voyant lumineux sur le dessus de la pompe changera du vert au vert clignotant lorsque la pile tombe sous le 25% de chargement. En général, le chargement suffit à la pulvérisation du réservoir actuel et d'un autre réservoir additionnel. La pompe devrait être chargée. Voir *chargement de la pile interne*. Lorsque la pile est complètement à plat, le voyant lumineux s'éteindra et la pompe ne fonctionnera pas.

ENTRETIEN DU PULVÉRISATEUR

Nettoyage et entreposage

AVERTISSEMENT : RISQUE DE BLESSURE RÉSULTANT DE L'EXPOSITION AUX PRODUITS CHIMIQUES. Toujours porter de l'équipement de protection personnel approprié, tel qu'indiqué par le fabricant du produit chimique lorsque vous utilisez, préparez, manipulez, pulvérisez ou éliminez des produits chimiques. Au minimum des lunettes, des gants et des vêtements de protection. Avant de procéder à l'entretien, toujours dépressuriser le pulvérisateur en coupant le courant de la pompe et en tirant sur le bouton à pointe jusqu'à ce que le réservoir soit complètement dépressurisé.

MISE EN GARDE : RISQUE D'ENDOMMAGEMENT AUX COMPOSANTS INTERNES. Un manquement au rinçage du pulvérisateur peut causer une accumulation de produits chimiques qui peut obstruer ou endommager les filtres, la pompe, le dispositif d'arrêt, la tige et la buse. L'accumulation de résidus chimiques peut aussi contaminer vos applications subséquentes. Un nettoyage non-adéquat des produits chimiques dans le pulvérisateur peut causer une détérioration prématurée du pulvérisateur. Ne jamais entreposer le pulvérisateur avec des produits chimiques restants à l'intérieur de ses composants.

Nettoyage et entreposage (suite) :

1. Éteindre la pompe en appuyant sur le bouton de mise en marche. Le voyant lumineux sur le dessus de la pompe devrait s'éteindre.
2. Faire fonctionner le bouton à pointeau sur le côté du réservoir en le tirant doucement vers l'extérieur jusqu'à ce que l'air à l'intérieur du réservoir soit complètement écoulé.
3. Enlever la pompe du réservoir en la tournant dans le sens contraire des aiguilles d'une montre. Éviter de la placer où elle pourrait être contaminée de saleté, de gazon coupé ou débris qui pourrait entrer à l'intérieur du réservoir.
4. Vider tout produit chimique restant dans un récipient adéquat pour utilisation ultérieure ou pour élimination, selon les directives du fabricant du produit chimique.
5. Utiliser de l'eau propre pour bien rincer le réservoir et vider le réservoir de tout produit chimique et résidus.
6. Utiliser un linge mouillé pour essuyer le dessous de la pompe afin d'enlever tous les résidus de produits chimiques. Ne pas rincer la pompe avec un boyau ou la submerger dans l'eau car l'eau pénétrera dans le boîtier et endommagera les composants électriques, la rendant inutilisable et en annulant la garantie.
7. Ajouter environ 1 litre d'eau propre dans le réservoir.
8. Attacher la pompe au réservoir et bien resserrer.
9. Appuyer sur le bouton de mise en marche pour que la pompe mette le réservoir sous pression.
10. Avec de l'eau propre à l'intérieur du réservoir rincé, pulvériser l'eau à travers le boyau, le dispositif d'arrêt, la tige et la buse pendant au moins 30 secondes pour bien les rincer. Un manquement au rinçage du boyau, du dispositif d'arrêt, de la tige et de la buse peut permettre l'accumulation de produits chimiques qui peut obstruer ou endommager les composants. À la suite d'un usage prolongé, un rinçage de la buse pourrait ne pas être suffisant pour déloger les résidus. Un nettoyage de la buse avec une petite brosse pourrait être nécessaire.
11. Appuyer sur le bouton de mise en marche pour éteindre la pompe.
12. Tirer sur le bouton à pointeau sur le côté du réservoir pour dépressuriser le réservoir.
13. Retirer la pompe. Éviter de la placer où elle pourrait être contaminée de saleté, de gazon coupé ou débris qui pourrait entrer à l'intérieur du réservoir.
14. Déclencher le levier pour purger toute eau demeurant à l'intérieur du boyau, du dispositif d'arrêt et de la tige.
15. Vider toute l'eau demeurant à l'intérieur du réservoir.
16. Permettre au pulvérisateur de sécher. À cette fin, accrocher le réservoir à l'envers pour qu'il s'égoutte complètement.
17. Une fois le pulvérisateur bien sec, retourner à l'endroit et réassembler la pompe au réservoir sans trop resserrer afin qu'aucun débris ne pénètre à l'intérieur du réservoir.
18. Entreposer le pulvérisateur, la pompe et le chargeur dans un endroit sec et chaud à l'intérieur, à l'abri des rayons du soleil, éloigné de toute source d'humidité ou de chaleur intense. Ne pas entreposer le pulvérisateur où les températures peuvent atteindre le point de congélation (moins de 32°F/0°C). Si le liquide à l'intérieur du pulvérisateur gèle, il est possible d'endommager la pompe, les joints d'étanchéité, le dispositif d'arrêt ou autres composants et annuler la garantie.
19. Pour assurer l'état optimal de la pile, la pile devrait être chargée à tous les trois mois lorsqu'elle n'est pas utilisée. Voir *Chargement de la pile interne*.

INSTRUCTIONS D'ENTRETIEN

Entretien du dispositif d'arrêt (Smith Pro)

AVERTISSEMENT : Avant d'effectuer tout entretien, toujours dépressuriser le pulvérisateur en éteignant la pompe et en tirant ensuite sur le bouton à pointeau jusqu'à ce que toute la pression soit libérée.

1. Dévisser la poignée du pistolet. (Voir Figure L)
2. Enlever le filtre du pistolet.
3. Nettoyer les débris logés à l'intérieur de la poignée, du pistolet et du filtre en les rinçant avec de l'eau propre et fraîche.
4. Remonter les pièces tel qu'illustré en resserrant fermement.

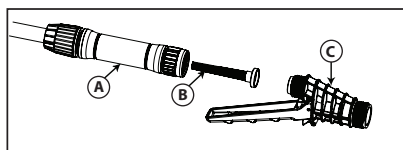


Figure L

**A. Poignée
B. Filtre
C. Pistolet**

INSTRUCTIONS D'ENTRETIEN (SUITE)

English

Entretien de la buse

AVERTISSEMENT : Avant d'effectuer tout entretien, toujours dépressuriser le pulvérisateur en éteignant la pompe et en tirant ensuite sur le bouton à pointeau jusqu'à ce que toute la pression soit libérée.

1. Si la buse est obstruée, il faut la retirer et la démonter.
2. Nettoyer les orifices de toute obstruction ou résidu. Ne pas utiliser d'outils pointus qui pourraient égratigner ou endommager la buse et l'uniformité de sa pulvérisation.

Español

Français

Entretien de la pompe PumpZero

La pompe PumpZero n'exige aucun entretien régulier additionnel mis à part son chargement et son nettoyage régulier. Voir *Chargement de la pile interne et Nettoyage et Entretien*.

RENSEIGNEMENTS DE CONFORMITÉ

Conformité FCC :

Ce produit répond aux exigences de la section des réglementations de la FCC. Son fonctionnement est soumis aux deux conditions suivantes: (1) cet appareil ne peut causer d'interférences nuisibles, et (2) cet appareil doit accepter toute interférence reçue, notamment celles pouvant cause un fonctionnement non désiré.

Remarque: Cet équipement a été testé et déclaré conforme aux limites des appareils numériques de classe B, en vertu de la section 15 des règlements de la FCC. Ces limites visent à fournir une protection raisonnable contre les interférences nuisibles dans une environnement résidentiel. Cet appareil génère, utilise et peut émettre des radiofréquences. S'il n'est pas installé et utilisé conformément aux instructions, il peut provoquer des interférences nuisibles pour les radiocommunications. Il n'y a toutefois aucune garantie que des interférences ne se produiront pas dans une installation particulière. Si cet équipement produit des interférences qui nuisent à une réception radio ou télévisuelle, ce qui peut être déterminé en éteignant et en allumant l'appareil, l'utilisateur est invité à corriger la situation par l'un ou l'autre des moyens suivants:

- Réorienter ou déplacer l'antenne réceptrice.
- Éloigner l'équipement du récepteur.
- Brancher l'équipement dans une autre prise de courant sur un circuit différent de celui du récepteur.
- Consulter le détaillant ou un technicien spécialisé en radio/télévision.

Canada IC:

CAN ICES-3 (B)/NMB-3(B)

DÉPANNAGE

English

Español

Français

PROBLÈME	SYMPTÔME	SOLUTION
Le pulvérisateur ne s'allume pas lorsqu'on appuie sur le bouton de mise en marche (aucun ronflement de la pompe).	<ol style="list-style-type: none"> 1. La pile n'est pas chargée. Le voyant lumineux ne s'allume PAS. 2. La pompe est endommagée, surchauffée ou ne fonctionne pas. Effectuer une inspection visuelle de la pompe pour tout dommage. Utiliser le chargeur pour diagnostiquer tout problème avec la pile. Voir <i>Chargement de la pile interne de la pompe</i>. 3. Le réservoir est déjà sous pression donc la pompe s'est éteinte automatiquement. 4. La pompe est connectée au chargeur. 	<ol style="list-style-type: none"> 1. Charger la pompe si le voyant lumineux ne s'allume pas. Voir <i>Chargement de la pile interne de la pompe</i>. 2. Remplacer la pompe si elle est endommagée ou non fonctionnelle. Permettre à la pile de refroidir si elle est surchauffée. 3. Ouvrir le dispositif d'arrêt (en appuyant sur le levier) pour voir si le pulvérisateur commence à pulvériser. 4. Débrancher le chargeur.
Le pulvérisateur s'allume (on entend le ronflement de la pompe) mais ne pulvérise pas.	<ol style="list-style-type: none"> 1. Le réservoir est vide. 2. Le réservoir est vide. 3. La buse est obstruée. 4. La pompe n'est pas serrée au réservoir et fuit au niveau du joint. 	<ol style="list-style-type: none"> 1. Ajouter du liquide dans le réservoir. Voir <i>Remplissage du réservoir</i>. 2. Nettoyer le dispositif d'arrêt. Voir <i>Entretien du dispositif d'arrêt</i>. 3. Nettoyer la buse. Voir <i>Entretien de la buse</i>. 4. Serrer la pompe au réservoir.
Le pulvérisateur s'allume mais ne pulvérise qu'à basse pression.	<ol style="list-style-type: none"> 1. Le réservoir n'est pas encore sous pression. 2. L'air s'échappe du réservoir au joint. 3. Le joint du réservoir ou la surface du joint sont endommagés. 4. Le dispositif d'arrêt est obstrué. 5. La buse est obstruée. 	<ol style="list-style-type: none"> 1. Permettre à la pompe de mettre le réservoir sous pression (au moins 20 secondes). 2. Serrer la pompe au réservoir. 3. Remplacer le joint du réservoir. 4. Nettoyer le dispositif d'arrêt. Voir <i>Entretien du dispositif d'arrêt</i>. 5. Nettoyer la buse. Voir <i>Entretien de la buse</i>.
Le boyau fuit au niveau du raccord avec le réservoir.	<ol style="list-style-type: none"> 1. Boyau craqué, gonflé ou défectueux. 2. Connexion endommagée. 	<ol style="list-style-type: none"> 1. Remplacer l'assemblage du dispositif d'arrêt. 2. Remplacer l'assemblage du dispositif d'arrêt.
Le boyau fuit au niveau du dispositif d'arrêt.	<ol style="list-style-type: none"> 1. Boyau craqué, gonflé ou défectueux. 2. Connexion endommagée. 	<ol style="list-style-type: none"> 1. Remplacer l'assemblage du dispositif d'arrêt. 2. Remplacer l'assemblage du dispositif d'arrêt.

DÉPANNAGE

PROBLÈME	SYMPTÔME	SOLUTION
La buse dégoutte lorsqu'on relâche le levier du dispositif d'arrêt.	<ol style="list-style-type: none"> 1. Saleté ou débris dans le dispositif d'arrêt. 2. Damaged O-Ring or Seal in Shut-off. 	<ol style="list-style-type: none"> 1. Clean Shut-off Assembly. 2. Remplacer l'assemblage du dispositif d'arrêt..
Égouttement à l'extrémité de la buse	<ol style="list-style-type: none"> 1. Joint plat manquant 2. Joint plat endommagé. 	<ol style="list-style-type: none"> 1. Installer le joint plat derrière l'extrémité de la buse. Voir <i>Assemblage de la tige, du dispositif d'arrêt et de la buse.</i> 2. Remplacer le joint plat.
Pulvérisation irrégulière	<ol style="list-style-type: none"> 1. Le réservoir n'est pas sous pression. 2. La buse est partiellement obstruée. 3. La buse est endommagée. 4. Le dispositif d'arrêt est obstrué. 	<ol style="list-style-type: none"> 1. Allumer la pompe. 2. Nettoyer la buse. Voir <i>Entretien de la buse.</i> 3. Remplacer la buse. 4. Nettoyer le dispositif d'arrêt. Voir <i>Entretien du dispositif d'arrêt.</i>
La pile ne charge pas	<ol style="list-style-type: none"> 1. Le chargeur n'est pas branché dans une prise électrique. 2. Aucun voyant lumineux il-luminé sur la pompe. Le chargeur est branché dans une prise électrique. 3. Aucun voyant lumineux il-luminé sur la pompe. Le chargeur est branché dans une prise électrique qui fonctionne. 4. Le voyant lumineux de la pompe clignote rouge sans arrêt (la température de la pile est trop élevée pour un chargement sécuritaire). 5. Le voyant lumineux de la pompe clignote rouge et vert en alternance (la pile ne peut être chargée). 	<ol style="list-style-type: none"> 1. Brancher le chargeur dans la prise électrique. 2. Vérifier que la prise électrique fonctionne. 3. Remplacer le chargeur. 4. Permettre à la pompe de refroidir. 5. Remplacer la pompe.

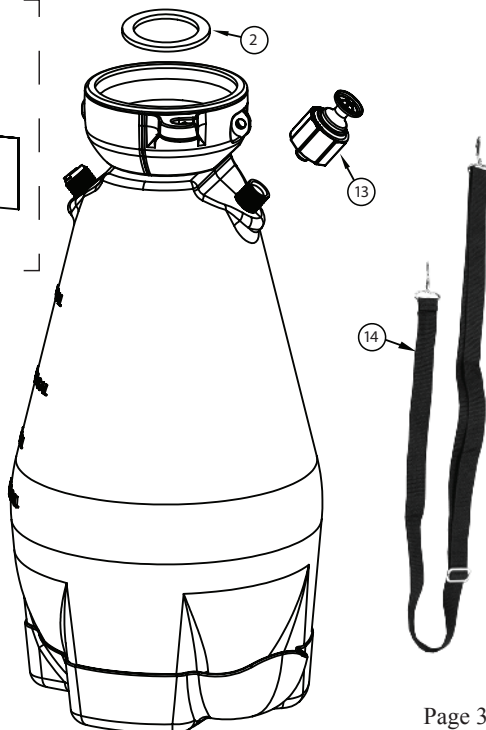
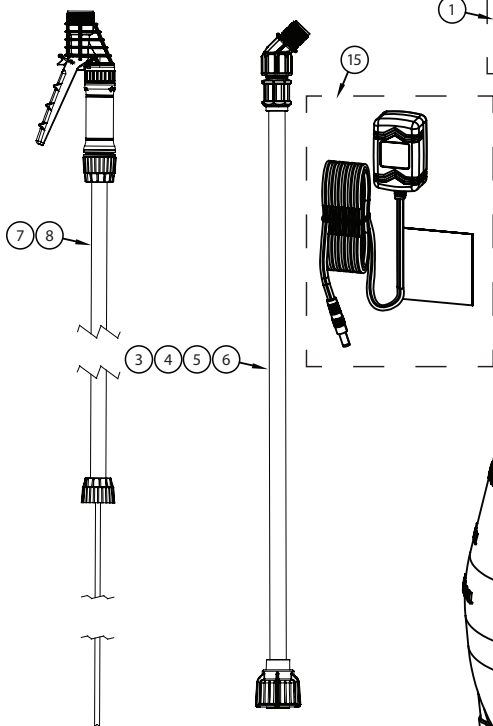
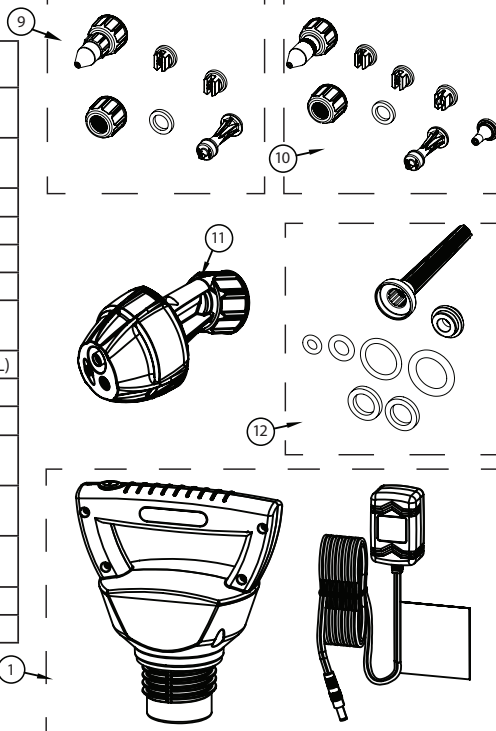
TROUSSES, PIÈCES ET ACCESSOIRES

English

Español

Français

N° DE CLÉ	N° DE PIÈCE	DESCRIPTION
1	184175	POMPE, CHARGEUR ET JOINT D'ÉTANCHÉITÉ
2	178039V	JOINT D'ÉTANCHÉITÉ (REPLACEMENT, VITON)
3	181845	TIGE 14" POLY
4	181843	TIGE 18" POLY
5	181824	TIGE 21" POLY
6	182112	TIGE 21" ACIER INOXYDABLE
7	183173	BOYAU ET DISPOSITIF D'ARRÊT (1 ET 2 GAL)
8	183174	BOYAU ET DISPOSITIF D'ARRÊT (3 GAL)
9	181869	TROUSSE POUR BUSE EN POLY
10	181870	TROUSSE POUR BUSE EN LAITON
11	182902	BUSE TRIFONCTIONNELLE (REPLACEMENT, VITON, NOIR)
12	181910	TROUSSE D'ENTRETIEN DISPOSITIF D'ARRÊT
13	182495	BOUTON À POINTEAU (REPLACEMENT, VITON)
14	181080	COURROIE
15	183563	CHARGEUR



**Les Trousses de Service, Pièces et Accessoires Sont Disponibles
en Communiquant Avec :**

CENTRE DE SERVICE À LA CLIENTÈLE – THE FOUNTAINHEAD GROUP, INC.

DU LUNDI AU VENDREDI DE 8 H À 17 H HNE

SANS FRAIS : 1-800-311-9903

ou

courriel : Info@TheFGI.com

ou

en ligne à : www.TheFountainheadGroup.com